



US006549561B2

(12) **United States Patent**  
**Crawford**

(10) **Patent No.:** **US 6,549,561 B2**  
(45) **Date of Patent:** **\*Apr. 15, 2003**

(54) **OFDM PILOT TONE TRACKING FOR WIRELESS LAN**

(75) Inventor: **James A. Crawford**, San Diego, CA (US)

(73) Assignee: **Magis Networks, Inc.**, San Diego, CA (US)

(\*) Notice: Subject to any disclaimer, the term of this patent is extended or adjusted under 35 U.S.C. 154(b) by 0 days.

This patent is subject to a terminal disclaimer.

(21) Appl. No.: **09/935,243**

(22) Filed: **Aug. 21, 2001**

(65) **Prior Publication Data**

US 2002/0176483 A1 Nov. 28, 2002

**Related U.S. Application Data**

(63) Continuation-in-part of application No. 09/790,429, filed on Feb. 21, 2001.

(51) **Int. Cl.**<sup>7</sup> ..... **H04J 11/00**; H04L 27/22

(52) **U.S. Cl.** ..... **375/137**; 375/326; 375/328; 370/206; 370/210

(58) **Field of Search** ..... 375/134, 137, 375/144, 145, 148, 149, 226, 326, 327, 328, 340, 341, 349, 260; 370/206, 207, 208, 210

(56) **References Cited**

**U.S. PATENT DOCUMENTS**

5,170,415 A \* 12/1992 Yoshida et al. .... 329/304  
5,577,072 A \* 11/1996 Moon et al. .... 375/261  
5,799,047 A \* 8/1998 Dobrica ..... 375/350

5,930,305 A \* 7/1999 Leib ..... 329/304  
5,940,450 A \* 8/1999 Koslov et al. .... 375/326  
6,035,003 A \* 3/2000 Park et al. .... 370/208  
6,181,258 B1 \* 1/2001 Summers et al. .... 340/870.02  
6,218,896 B1 \* 4/2001 Becker et al. .... 329/304  
6,310,926 B1 \* 10/2001 Tore ..... 375/261

**FOREIGN PATENT DOCUMENTS**

EP 0 822 682 A1 \* 2/1998

**OTHER PUBLICATIONS**

European Telecommunications Standards Institute 2000 (ETSI); "Broadband Radio Access Networks (BRAN); HIP-ERLAN Type 2; Physical (PHY) Layer"; Technical Specification; <http://www.etsi.org>; pp. 1-40; ETSI TS 101 475 V1.1.1 (2000-04).

(List continued on next page.)

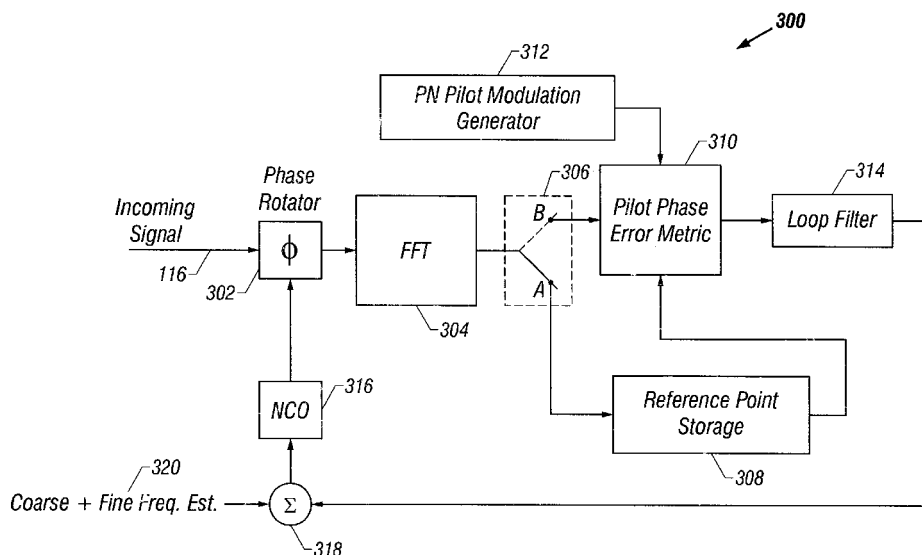
*Primary Examiner*—Young T. Tse

(74) *Attorney, Agent, or Firm*—Fitch, Even, Tabin & Flannery

(57) **ABSTRACT**

A pilot phase tracking loop for an OFDM receiver including a phase rotator for receiving an incoming signal, which is coupled to a Fourier transform, which is coupled to a pilot phase error metric for determining a phase error estimate associated with a received OFDM symbol, e.g., a data symbol. The pilot phase error metric is coupled to a loop filter, which is coupled to an oscillator, which is coupled back to the phase rotator. The phase rotator rotates the incoming signal by the filtered phase error estimate for subsequent OFDM symbols to reduce the phase noise of the signaling output from the phase rotator. Thus, the phase noise introduced by a radio portion of the OFDM receiver and an OFDM transmitter is compensated for by the pilot phase error estimation in the baseband portion of the OFDM receiver and improved OFDM signal tracking is accomplished under poor SNR conditions.

**29 Claims, 13 Drawing Sheets**



## OTHER PUBLICATIONS

- IEEE Computer Society; "Draft Supplement to Standard [for] Information Technology–Telecommunications and Information Exchange Between Systems–Local and Metropolitan Area Networks–Specific Requirements–Part II: Wireless LAN Medium Access Control (MAC) and Physical Layer (PHY) Specifications: High Speed Physical Layer in the 5 Ghz Band"; IEEE P802.11a/D7.0; Supplement to IEEE Standard 802.11–1999; (1999); pp. 1–90.  
U.S. patent application Ser. No. 09/790,429, Crawford, filed Feb. 21, 2001.  
U.S. patent application Ser. No. 09/935,081, Crawford, filed Aug. 21, 2001.
- Baoguo Yang, et al., "Timing Recovery For OFDM Transmission", IEEE Journal of Selected Areas In Communications, Nov. 2000, pp. 2278–2291, vol. 18, No. 11, IEEE.
- Jihoon Choi, et al., "Carrier Frequency Offset Compensation For Uplink Of OFDM–FDMA Systems", IEEE Communications Letters, Dec. 2000, pp. 414–416, vol. 4, No. 12, IEEE.
- Dušan Matić, et al., "OFDM Synchronisation Based On The Phase Rotation Of Sub–Carriers", IEEE Journal, 2000, pp. 1260–1264, IEEE.
- Stefan A. Fechtel, "Performance OF OFDM Carrier And Sampling Frequency Synchronization On Stationary And Mobile Channels", International Conf. On Consumer Electronics 2000, IEEE Journal, Jun. 13–15, 2000, pp. 18–19, IEEE.
- Navid Lashkarian, et al., "Globally Optimum ML Estimation Of Timing And Frequency Offset In OFDM Systems", IEEE Journal, pp. 1044–1048, IEEE.
- Hyoung–Kyu Song, et al., "Frequency–Offset Synchronization and Channel Estimation For OFDM–Based Transmission", IEEE Communications Letters, Mar. 2000, pp. 95–97, vol. 4, No. 3, IEEE.
- Sébastien Simoens, et al., "A New Method For Joint Cancellation Of Clock And Carrier Frequency Offsets In OFDM Receivers Over Frequency Selective Channels", Center de Recherche Motorola Paris, Espace Technologique Saint–Aubin 99193, Gif–sur Yvette France, pp. 390–394, IEEE VTC2000, IEEE.
- Fred Daneshgaran, et al., "ML Symbol Synchronization For Multichannel Modulation: Analysis And Implementation", ECE Department, California State University, Los Angeles, pp. 1–5.
- Timothy M. Schmidl, et al., "Robust Frequency And Timing Synchronization For OFDM", IEEE Transactions On Communications, Dec. 1997, pp. 1613–1621, vol. 45, No. 12, IEEE.
- Hui Liu, et al., "A High–Efficiency Carrier Estimator For OFDM Communications", IEEE Communications Letters, Apr. 1998, vol. 2, No. 4, pp. 104–106, IEEE.
- Keukjoon Bang, et al., "A Coarse Frequency Offset Estimation In An OFDM System Using The Concept Of The Coherence Phase Bandwidth", IEEE, pp. 1135–1139, IEEE.
- Paul H. Moose, "A Technique For Orthogonal Frequency Division Multiplexing Frequency Offset Correction", IEEE Transactions On Communications, Oct. 1994, vol. 42, No. 10, pp. 2908–2914, IEEE.
- Paul Koufalias, "State Variable Approach To Carrier Phase Recovery And Fine Automatic Gain Control On Flat Fading Channels", Aug. 30, 1996, Submitted to the School of Physics and Electronic Systems Engineering of the Faculty of Information Technology of the University of South Australia for the Degree of Master of Electronic Engineering by Research, University of South Australia.

\* cited by examiner

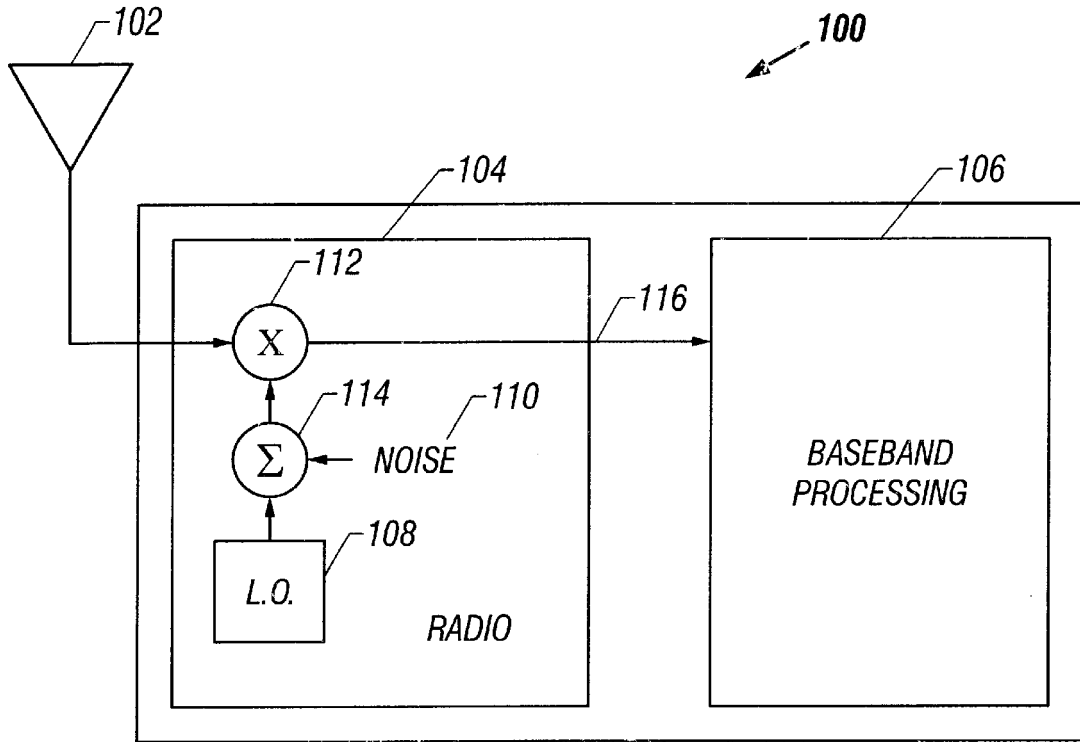


FIG. 1

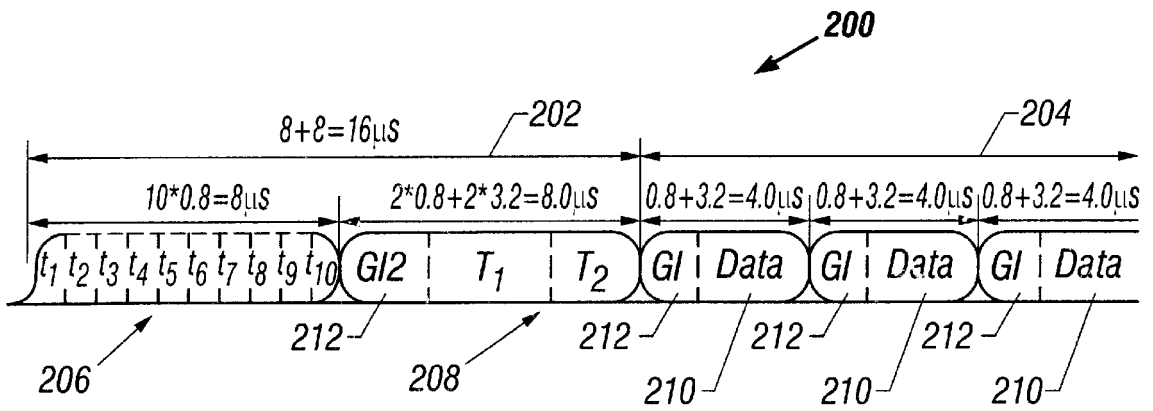


FIG. 2

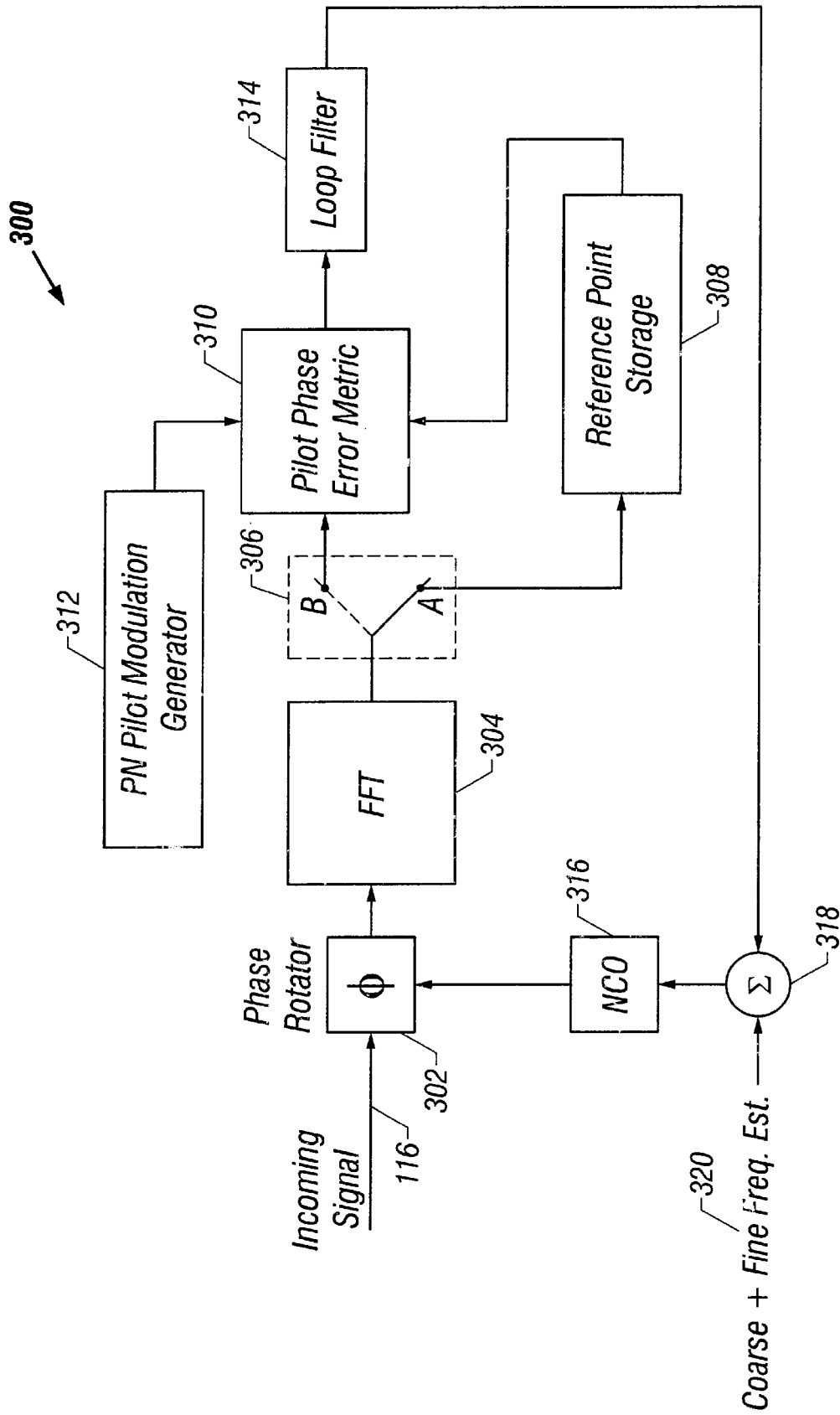


FIG. 3

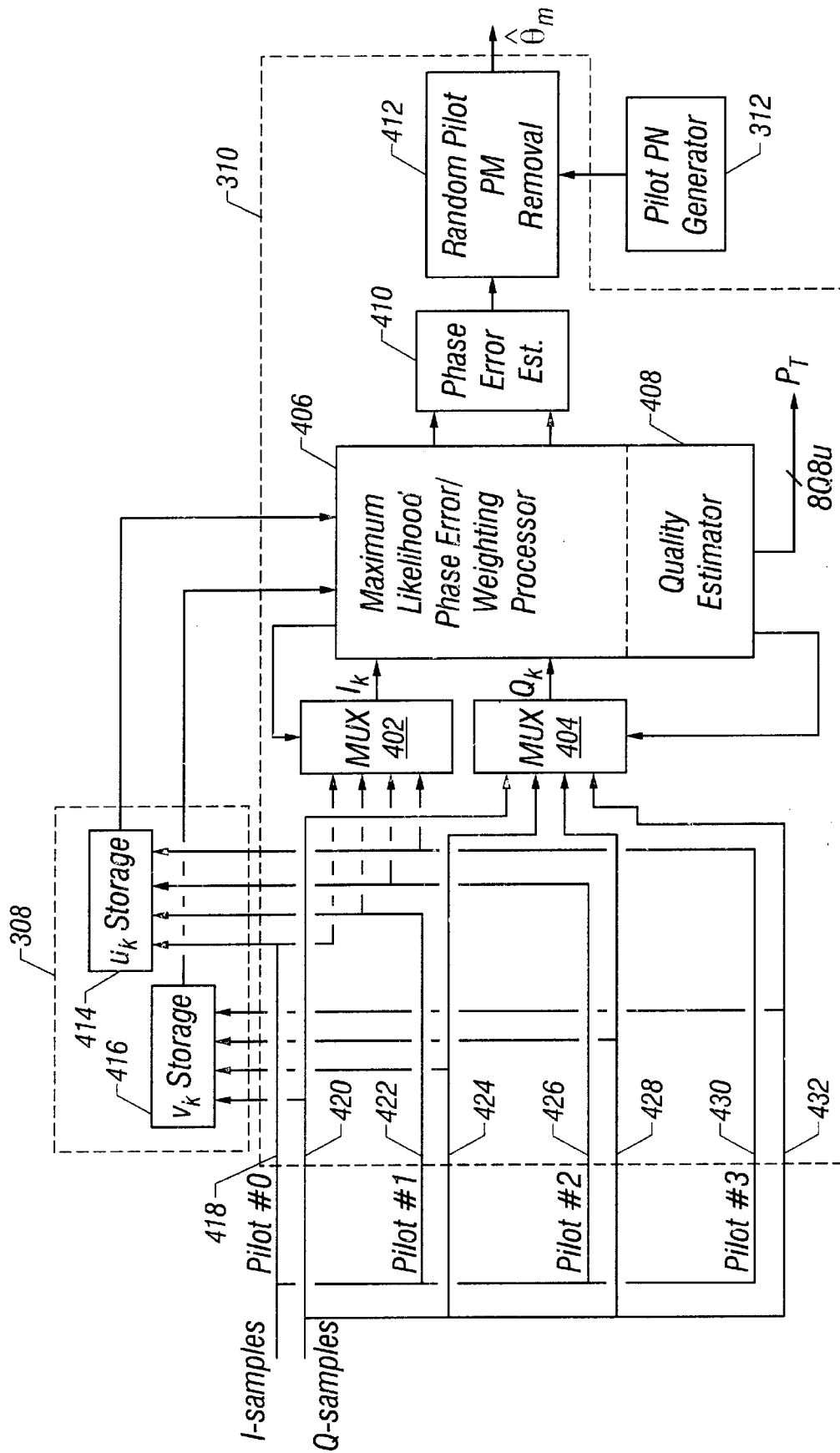
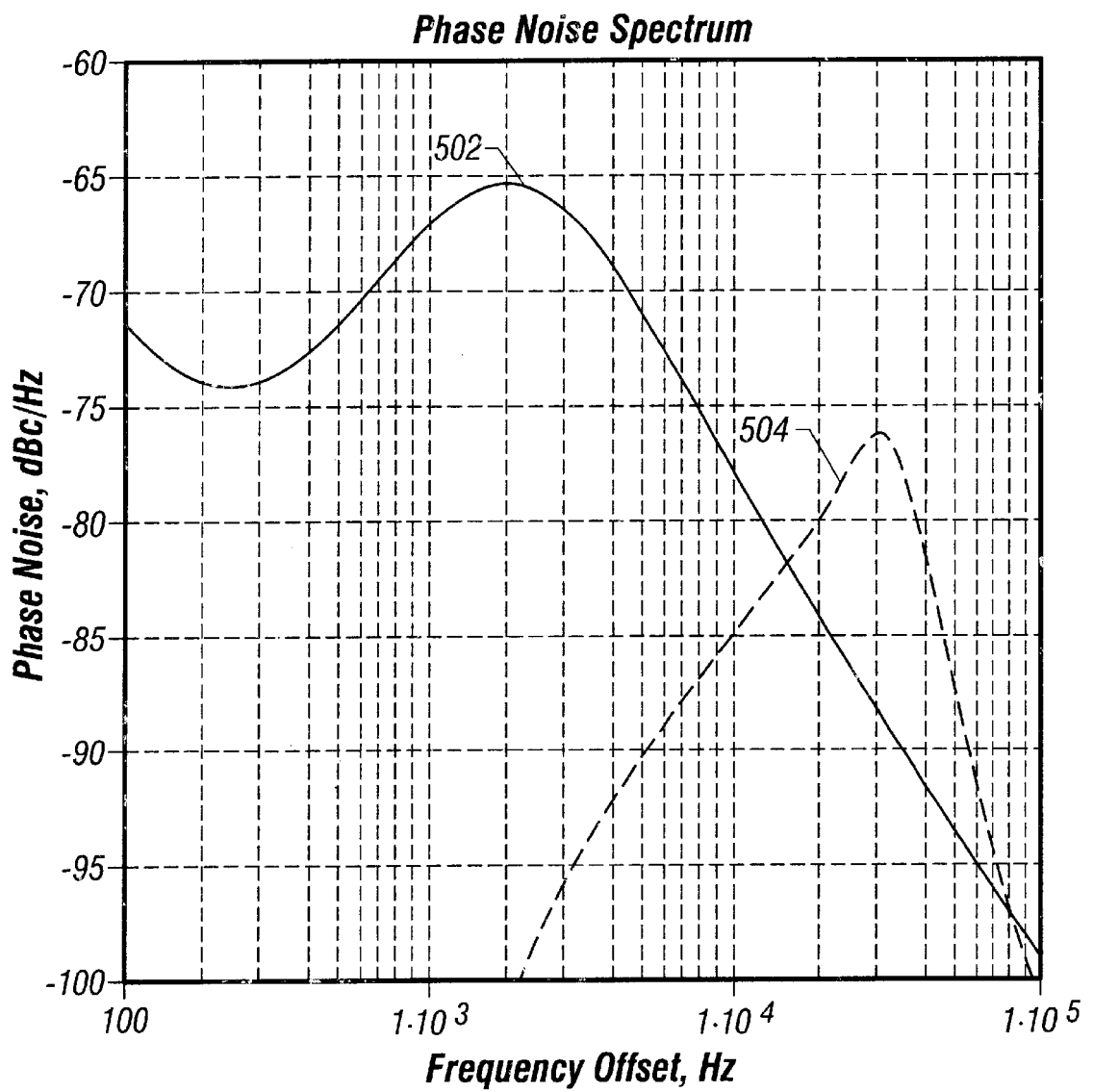


FIG. 4



**FIG. 5**

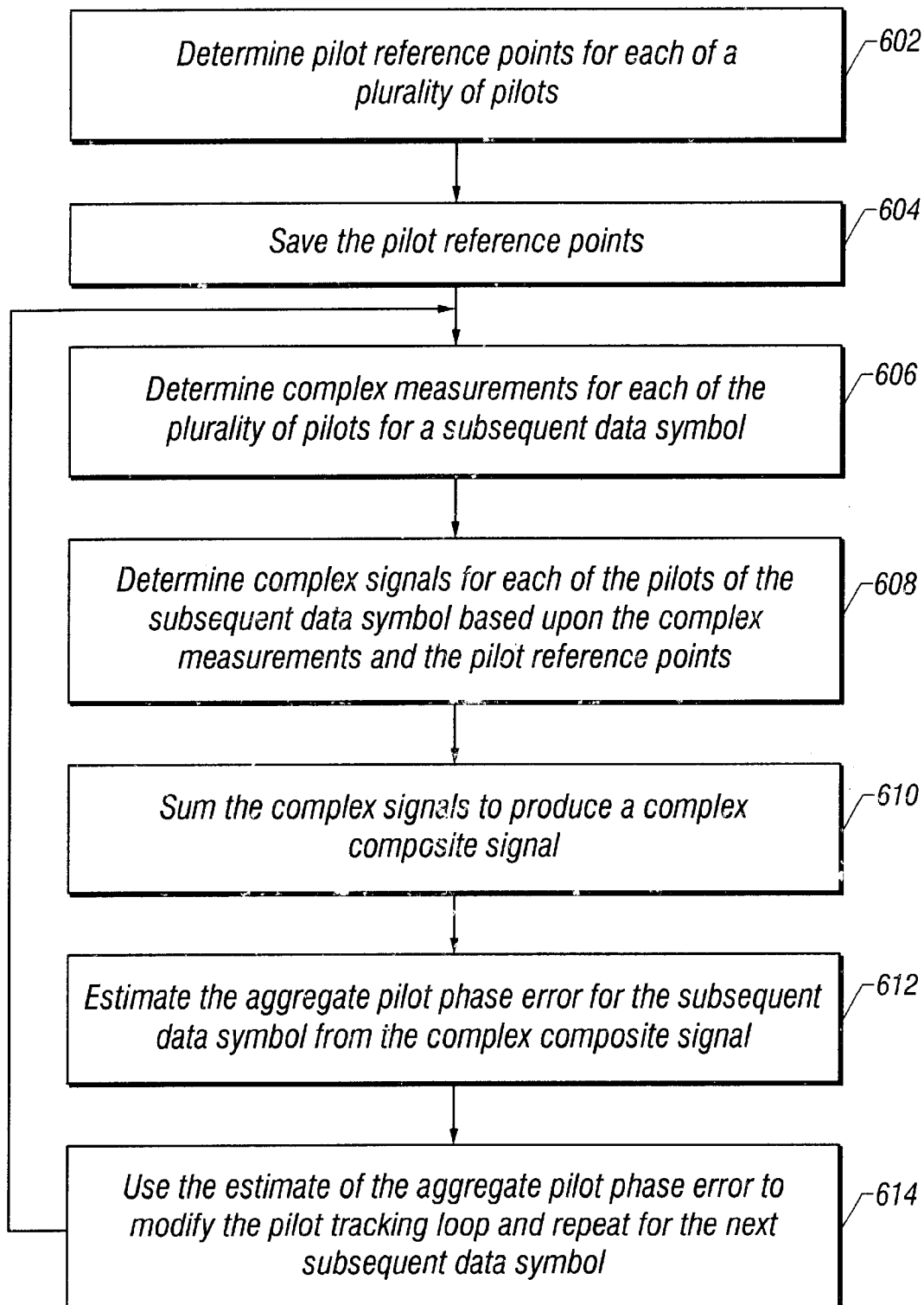
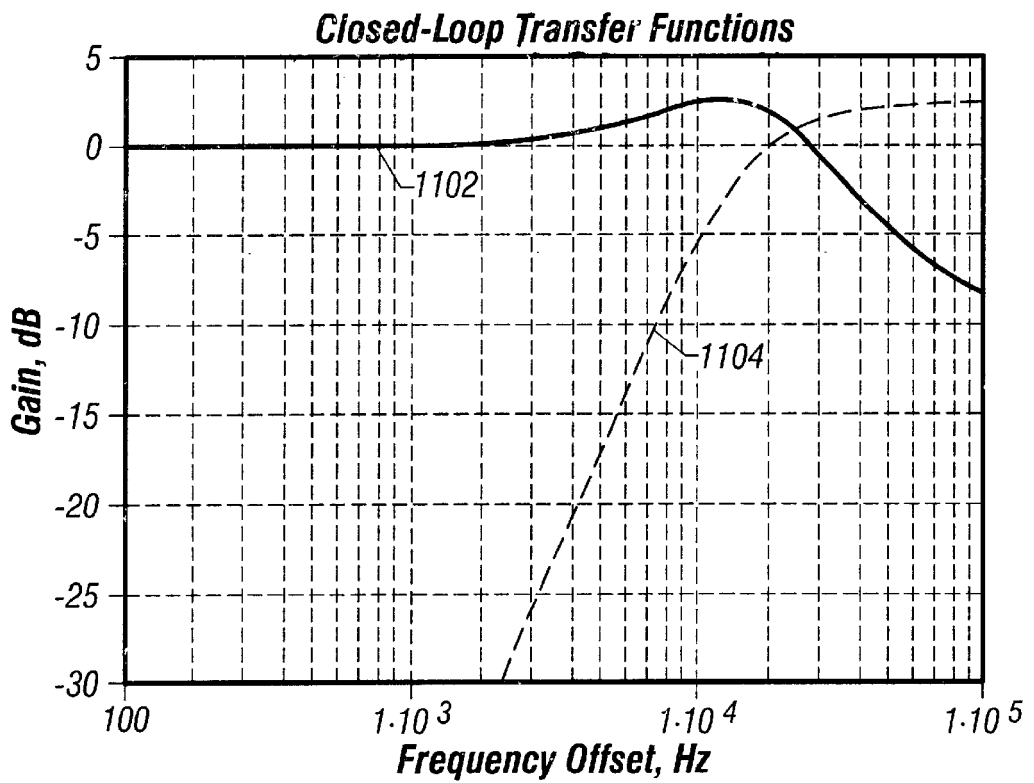
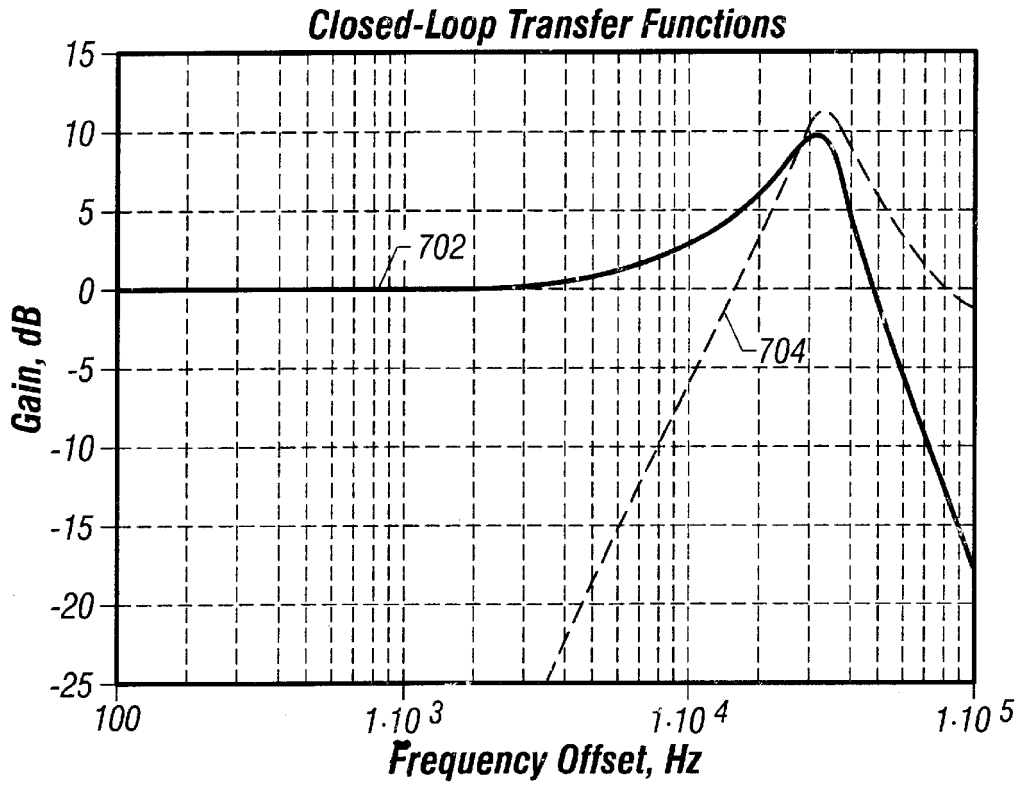


FIG. 6





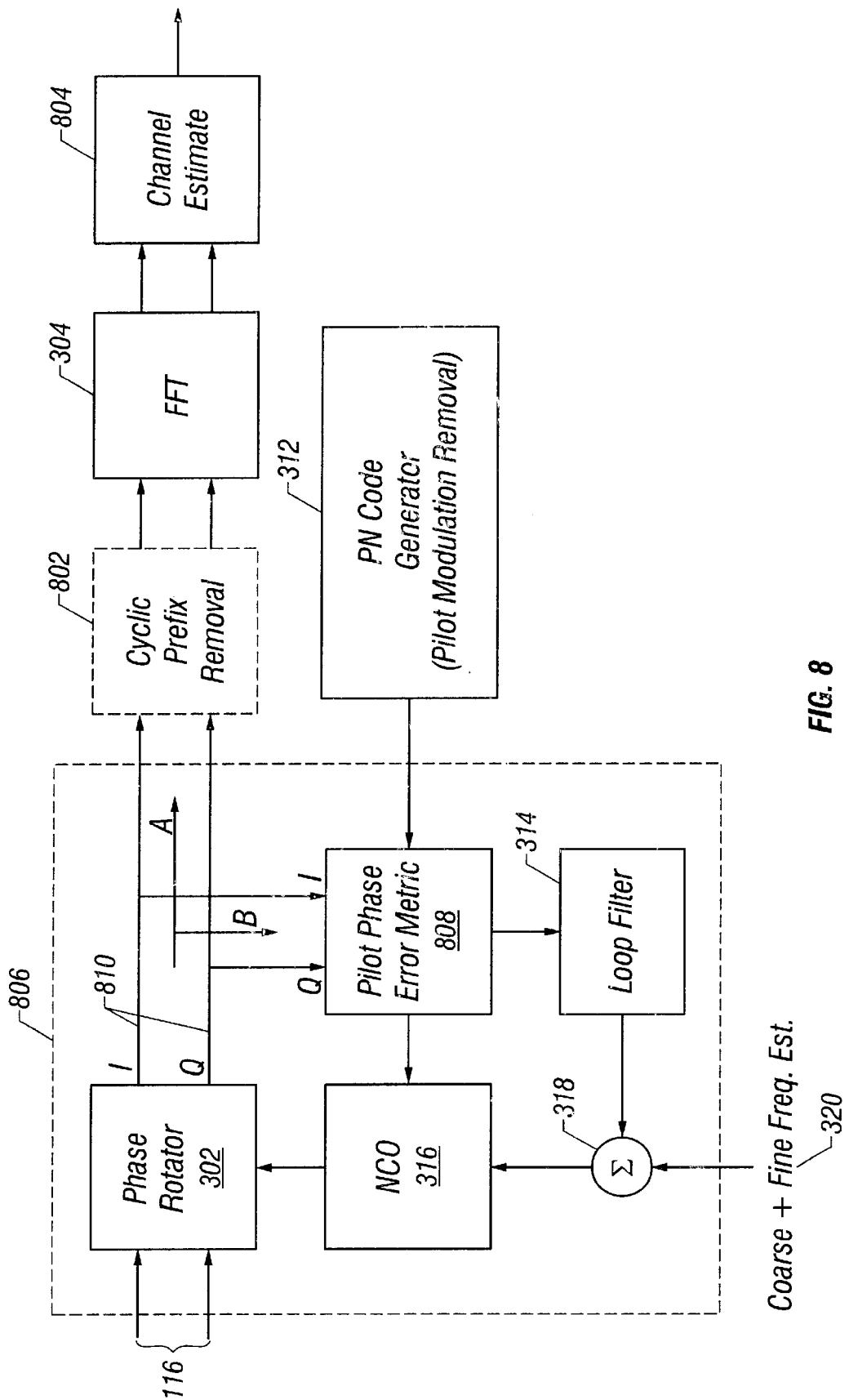


FIG. 8

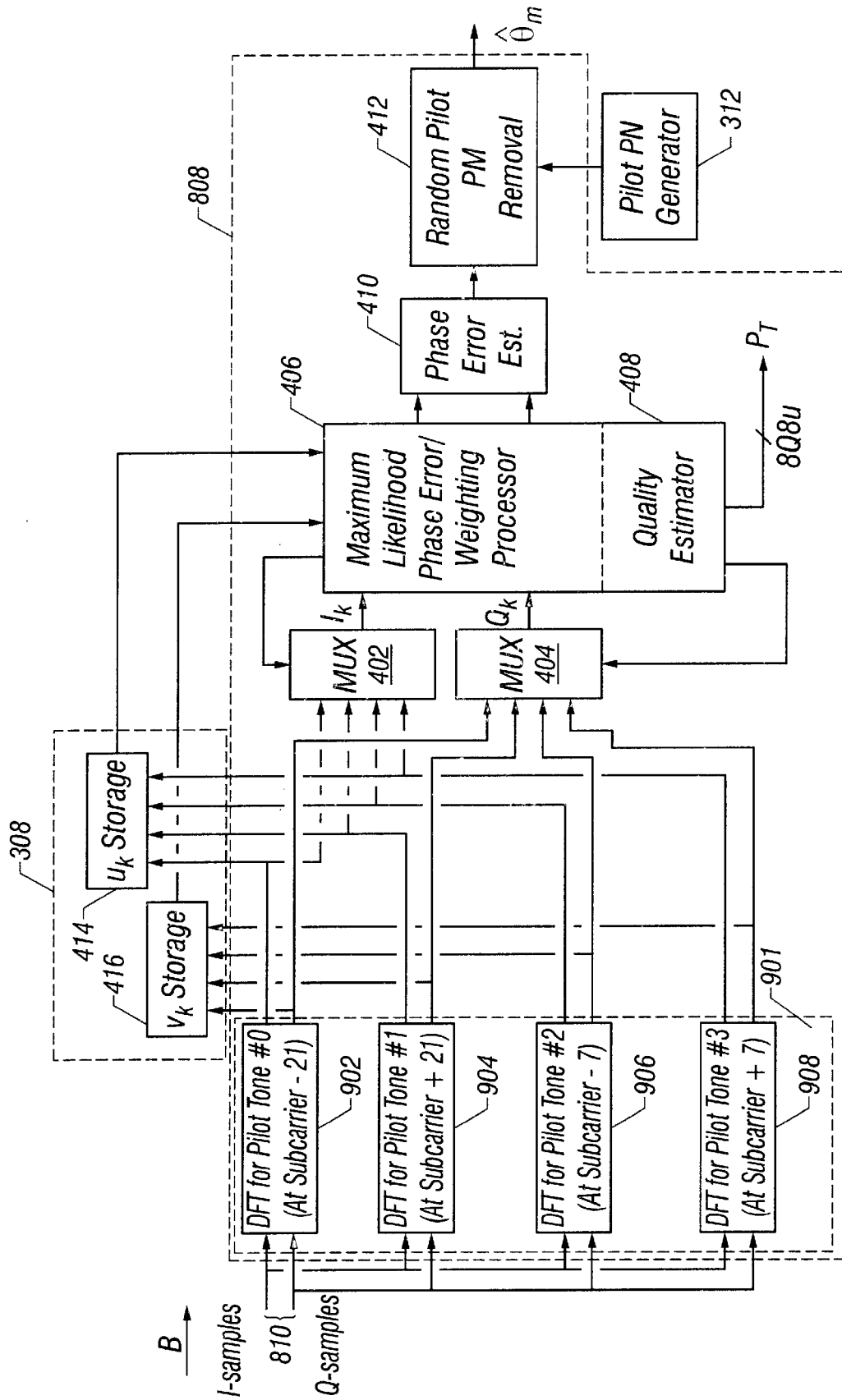
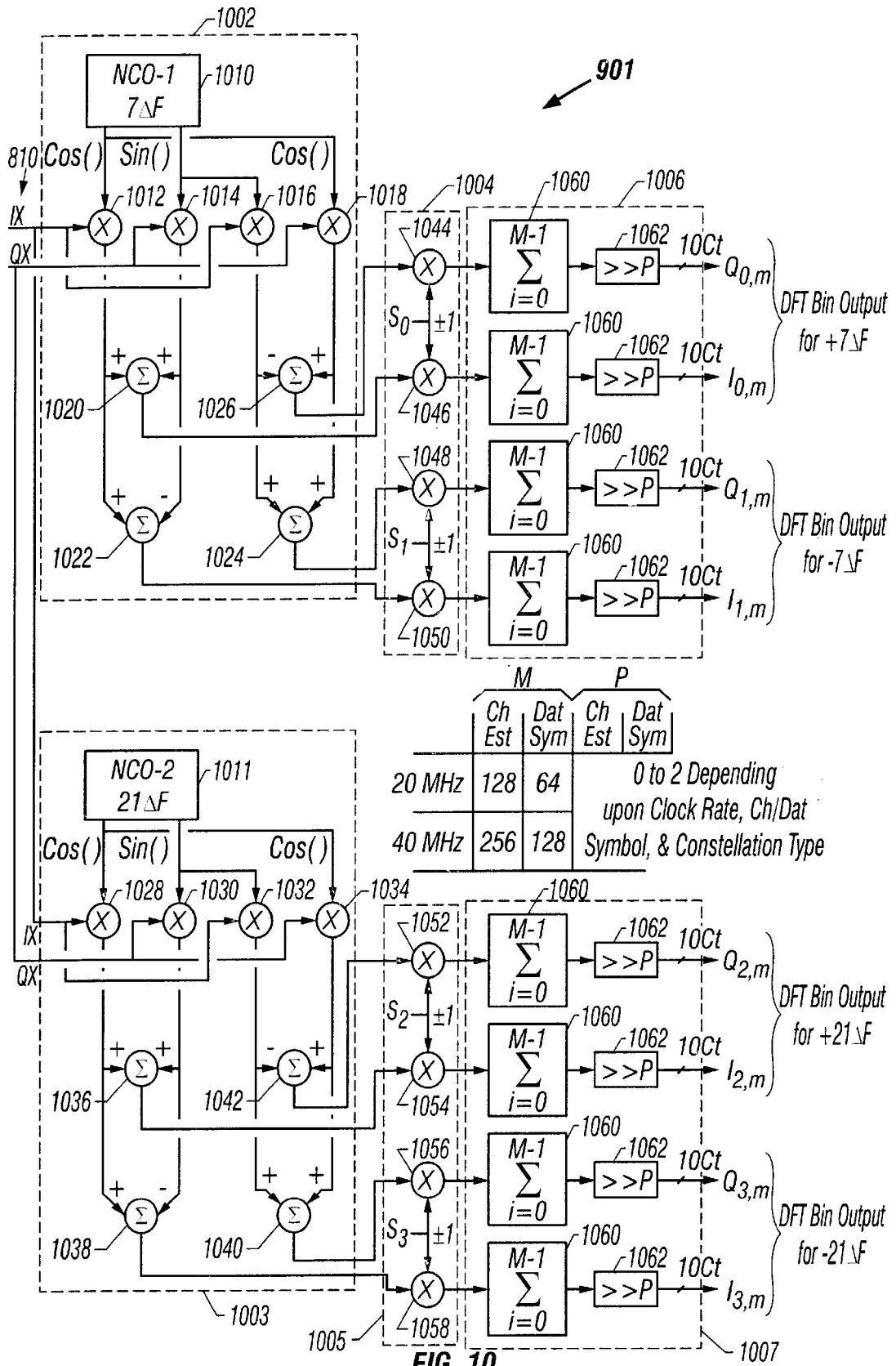


FIG. 9



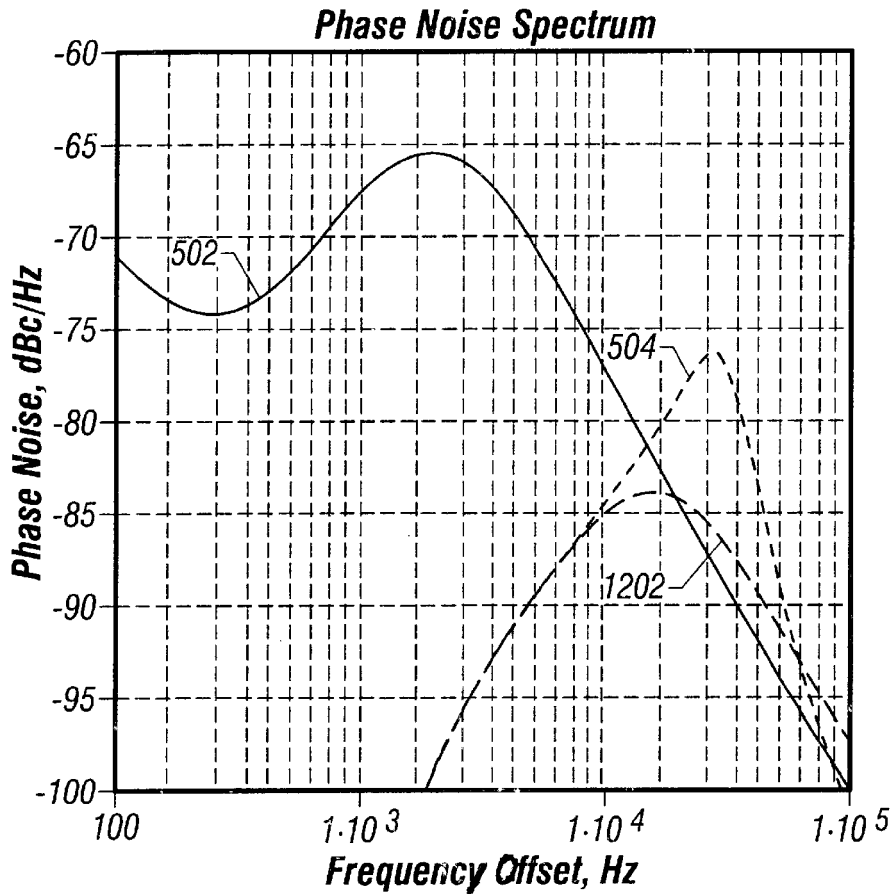


FIG. 12

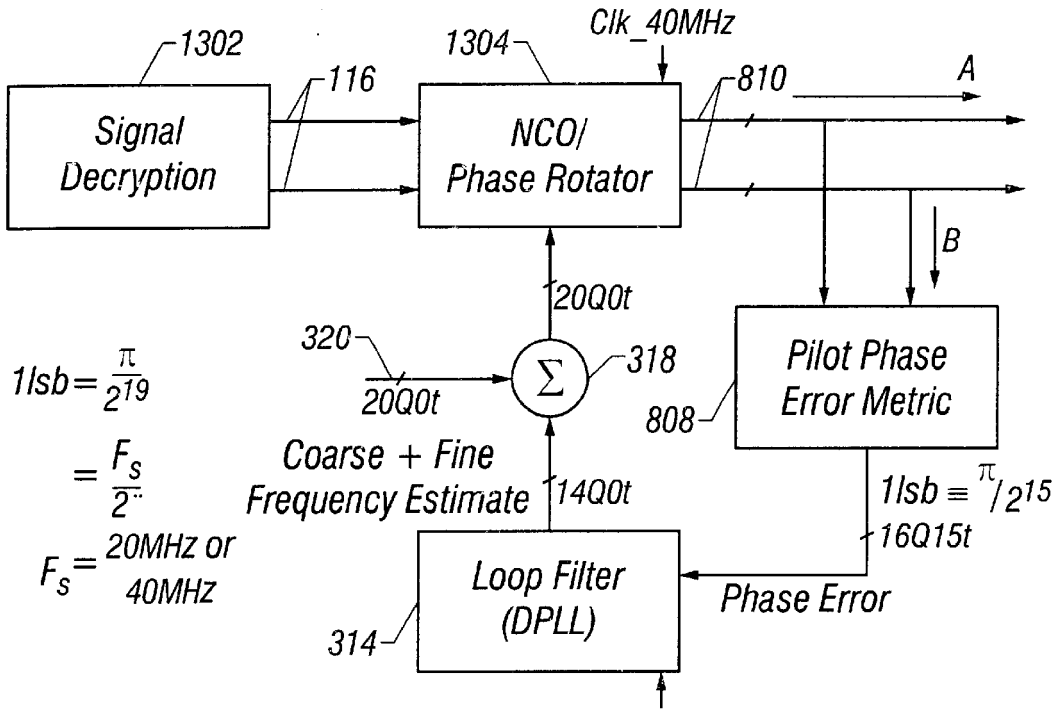


FIG. 13 C<sub>lk</sub>\_40MHz

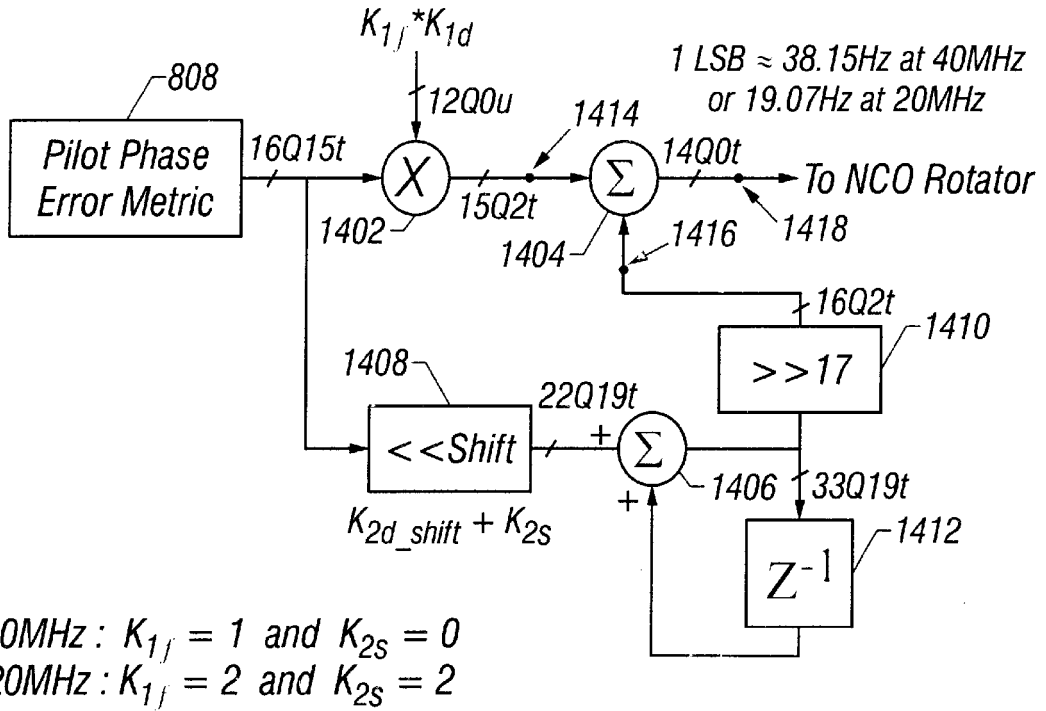


FIG. 14

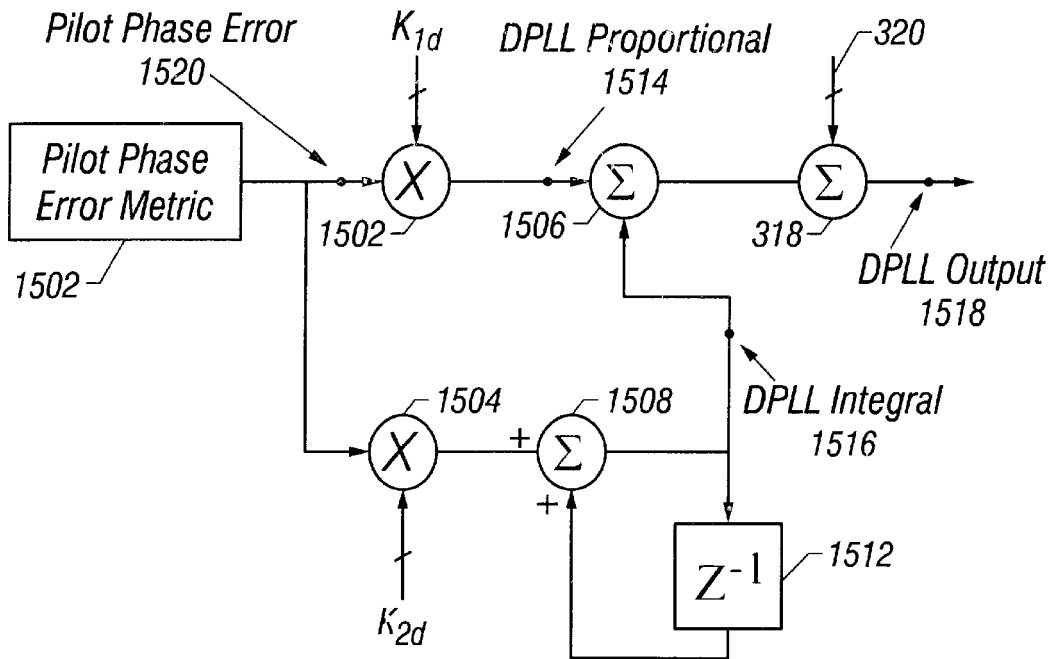


FIG. 15

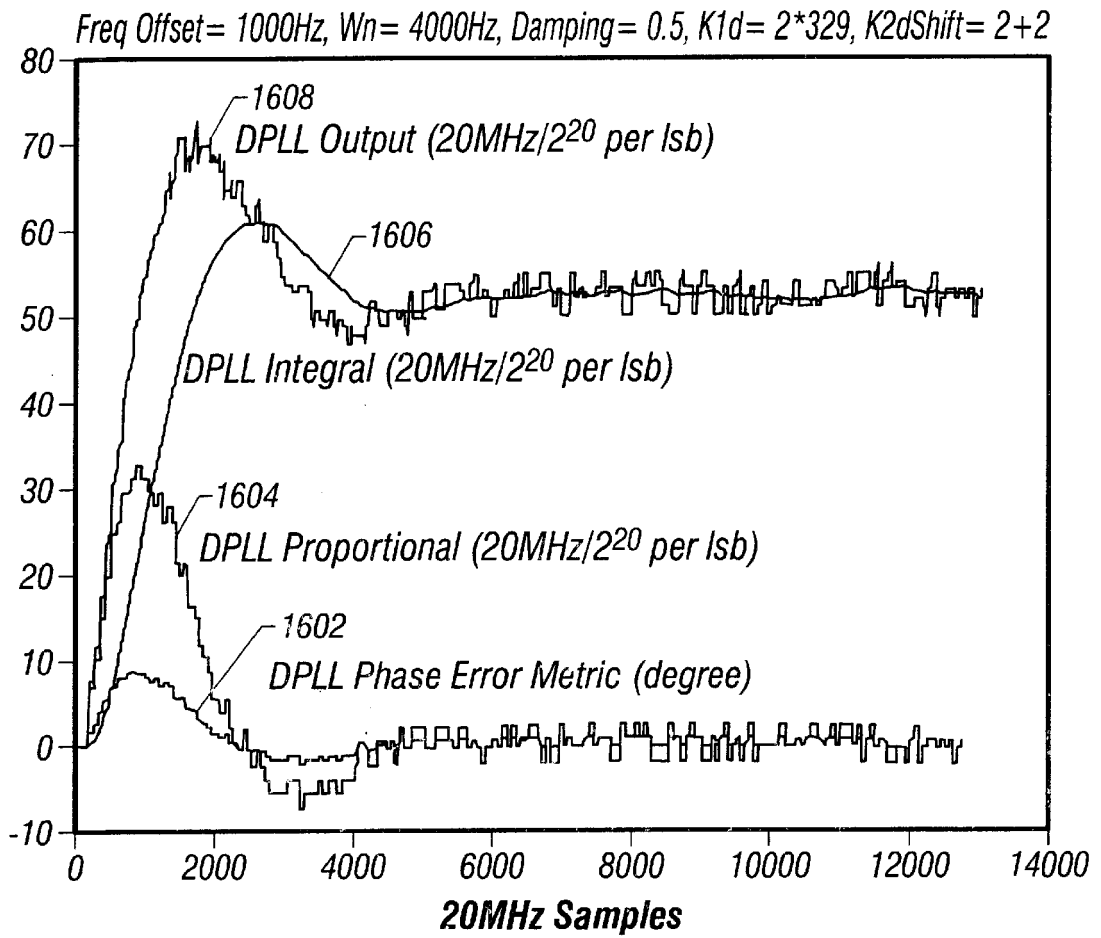
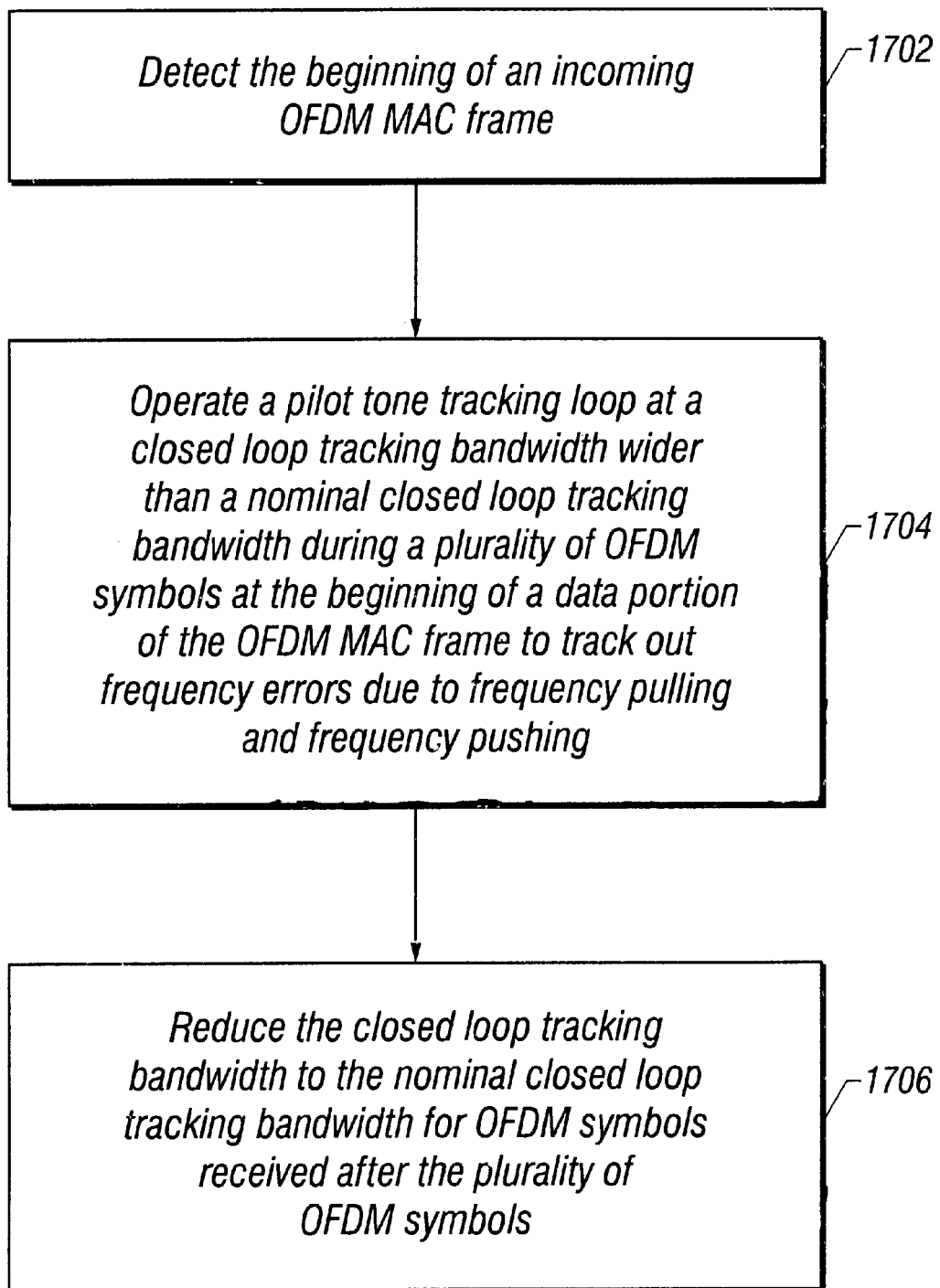


FIG. 16

**FIG. 17**

## OFDM PILOT TONE TRACKING FOR WIRELESS LAN

This application is a Continuation-In-Part (CIP) of U.S. application Ser. No. 09/790,429, filed Feb. 21, 2001, entitled "OPTIMUM PHASE ERROR METRIC FOR OFDM PILOT TONE TRACKING IN WIRELESS LAN", the entirety of which is hereby incorporated by reference.

This patent document relates to the following patent documents filed concurrently herewith. The related patent documents, all of which are incorporated herein by reference, are: U.S. patent application Ser. No. 09/935,081, of Crawford; entitled OFDM PILOT TONE TRACKING FOR WIRELESS LAN, Atty Docket No. 69903; and

U.S. patent application Ser. No. 09/935,083, of Crawford; entitled OFDM PILOT TONE TRACKING TO REDUCE PERFORMANCE LOSS DUE TO FREQUENCY PULLING AND PUSHING; Atty Docket No. 70847.

### BACKGROUND OF THE INVENTION

#### 1. Field of the Invention

The present invention relates generally to orthogonal frequency division multiplexed (OFDM)-based communications, and more specifically to tracking pilot tones of OFDM-based communications to reduce phase noise requirements in the radio portion of an OFDM receiver, as well as provide nearly optimal frequency error tracking performance.

#### 2. Discussion of the Related Art

In wireless local area network (WLAN) applications, multiple devices communicate with each other via OFDM-based radio frequency (RF) wireless links. A common format for such OFDM communication is based upon the IEEE 802.11a standard or the HiperLAN2 standard, for example. Good local oscillator (LO) phase noise performance in the radio portion of the OFDM transmitters and receivers is critical in such OFDM-based communications when using complex signal constellations, such as 64-QAM and 256-QAM (quadrature amplitude modulation). This is because the symbol rate is chosen to be low enough to combat the severe multipath propagation characteristics that exist like those in indoor wireless applications and this low symbol rate also leads to greater phase noise related performance impairment. For example, in IEEE 802.11a and HiperLAN2, the symbol rate is approximately 250 kHz thereby accentuating the need to have excellent phase noise performance in the radio at frequency offsets from the carrier in the vicinity of 250 kHz and less.

Furthermore, the phase of the RF signaling is effected by phase noise generated in the local oscillators (LOs) of both the transmitter and the receiver. Also, phase perturbations are introduced when the transmitter or the receiver physically moves relative each other and also when the multipath changes, e.g., a door is opened. Unfortunately, poor LO phase noise performance leads to a potentially high symbol error rate, which seriously degrades both the communication range and throughput of the system. For example, in a typical system using IEEE 802.11a, it is estimated that the acceptable phase noise interfering with each subcarrier of the OFDM waveform is on the order of 2.7 degrees rms. While this may be acceptable for QPSK and 16-QAM modulations, it is excessive for 64-QAM modulation or higher constellations, resulting in constellation points being easily confused.

Further adding to the problem is the fact that most transmitters and receivers of such wireless products are

highly integrated on a single device or chip. As such, the performance of the RF portion of the receiver, for example, is relatively limited. Furthermore, implementing the RF portion of the system to have the desired good phase noise performance that is required for higher order modulations, such as 64-QAM and above, is very difficult when implemented on a single chip with low supply voltages (e.g., 3.3 volts).

### SUMMARY OF THE INVENTION

The present invention advantageously addresses the needs above as well as other needs by providing a pilot tracking system utilizing an optimum pilot phase error metric based on a maximum likelihood estimation approach in the base-band processing portion of the OFDM-based receiver to compensate for poor local oscillator performance in the radio portion of the OFDM-based receiver and transmitter and improve frequency tracking in general.

In one embodiment, the invention can be characterized as a pilot phase tracking loop for an orthogonal frequency division multiplexed (OFDM) receiver comprising a phase rotator for receiving an incoming signal, a Fourier transform coupled to an output of the phase rotator and a pilot phase error metric coupled to an output of the Fourier transform for determining a phase error estimate associated with a received OFDM symbol. A loop filter is coupled to an output of the pilot phase error metric and an oscillator is coupled to an output of the loop filter. The oscillator has an output coupled to the phase rotator for causing the phase rotator to rotate the incoming signal by the filtered phase error estimate for subsequent OFDM symbols such that the phase noise of the signaling output from the phase rotator is reduced.

In another embodiment, the invention can be characterized as a pilot phase tracking loop for an orthogonal frequency division multiplexed (OFDM) receiver comprising a phase rotator for receiving and adjusting the phase of an incoming signal, a Fourier transform coupled to an output of the phase rotator and a pilot phase error metric coupled to an output of the Fourier transform. Also, a loop filter coupled to the pilot phase error metric and an oscillator coupled to the loop filter and having an output coupled to the phase rotator.

In yet another embodiment, the invention can be characterized as a method for tracking pilot phase in an orthogonal frequency division multiplexed (OFDM) receiver comprising the steps of: receiving an incoming signal corresponding to an OFDM preamble waveform at a Fourier transform of the OFDM receiver; determining pilot reference points corresponding to a plurality of pilots of an OFDM preamble waveform; receiving an incoming signal corresponding to an OFDM symbol at the Fourier transform; determining complex signal measurements corresponding to each of the plurality of pilots of the OFDM symbol; determining a phase error estimate corresponding to the OFDM symbol; filtering the phase error estimate; and rotating a phase of the incoming signal for subsequent OFDM symbols to be received at the Fourier transform after the OFDM symbol by the filtered phase error estimate, wherein a phase noise of the incoming signal for the subsequent OFDM symbols is reduced.

In a further embodiment, the invention can be characterized as a method of pilot phase tracking in an orthogonal frequency division multiplexed (OFDM) receiver comprising the steps of: receiving an incoming signal representing an OFDM waveform at a Fourier transform of the OFDM receiver; determining a phase error estimate corresponding



to an OFDM symbol of the OFDM waveform based upon the output of the Fourier transform; filtering the phase error estimate; and rotating a phase of the incoming signal for subsequent OFDM symbols to be received at the Fourier transform after the OFDM symbol by the filtered phase error estimate, wherein the phase noise of the incoming signal for the subsequent OFDM symbols is reduced.

#### BRIEF DESCRIPTION OF THE DRAWINGS

The above and other aspects, features and advantages of the present invention will be more apparent from the following more particular description thereof, presented in conjunction with the following drawings wherein:

FIG. 1 is a block diagram of an orthogonal frequency division multiplexed (OFDM) receiver illustrating a phase noise contribution of the local oscillators (LO) of the radio portion of the OFDM receiver, and in which one or more embodiments of the invention may be practiced;

FIG. 2 is a diagram of the PHY-layer frame structure for the IEEE 802.11a standard used in OFDM communications, for example, by the OFDM receiver of FIG. 1;

FIG. 3 is a functional block diagram of a pilot tracking loop of a baseband processing portion of the OFDM receiver of FIG. 1, which utilizes a pilot phase error metric based on a maximum likelihood estimation approach for estimating the phase error of the OFDM data symbols in accordance with one embodiment of the invention;

FIG. 4 is a functional block diagram of a pilot phase error metric of the pilot tracking loop of FIG. 3 which is based upon maximum likelihood estimation in accordance with one embodiment of the invention;

FIG. 5 is a graph illustrating the LO phase noise contribution vs. frequency using no pilot tracking and pilot tracking according to the embodiment of FIGS. 3 and 4;

FIG. 6 is a flowchart of the steps performed in the pilot phase error metric of FIG. 4 in accordance with one embodiment of the invention;

FIG. 7 is an illustration of the closed-loop transfer functions of the pilot tracking loop of FIG. 3 according to one embodiment;

FIG. 8 is a functional block diagram of a pilot tracking loop of the baseband processing portion of the OFDM receiver of FIG. 1, which includes a phase error metric utilizing a maximum likelihood estimator for the phase error of OFDM data symbols in accordance with another embodiment of the invention;

FIG. 9 is a functional block diagram of the pilot phase error metric of the pilot tracking loop of FIG. 8 using an optimum maximum likelihood estimation performed in accordance with one embodiment of the invention;

FIG. 10 is a functional block diagram of a discrete Fourier transform portion of the pilot phase error metric of FIG. 9 in accordance with yet another embodiment of the invention;

FIG. 11 is an illustration of the closed-loop transfer functions of the pilot tracking loop 806 of FIG. 8 according to another embodiment;

FIG. 12 is a graph illustrating the LO phase noise contribution vs. frequency using no pilot tracking, pilot tracking according to the embodiment of FIGS. 3 through 4 and pilot tracking according to the embodiments of FIGS. 8 through 10;

FIG. 13 is a functional block diagram illustrating the loop filter of the pilot tracking loop of FIG. 8 according to one embodiment of the invention;

FIG. 14 is a functional block diagram of a digital implementation of the loop filter of FIG. 13 according to another embodiment of the invention;

FIG. 15 is a functional block diagram illustrating a simulated version of the digital loop filter of FIG. 14;

FIG. 16 is a graph illustrating the response of the simulated tracking loop filter of FIG. 15 as measured at the indicated probe points in FIG. 15; and

FIG. 17 is a flowchart is shown of the steps performed to reduce the effects of frequency pulling and frequency pushing according to another embodiment of the invention.

Corresponding reference characters indicate corresponding components throughout the several views of the drawings.

#### DETAILED DESCRIPTION OF THE INVENTION

The following description is not to be taken in a limiting sense, but is made merely for the purpose of describing the general principles of the invention. The scope of the invention should be determined with reference to the claims.

Referring first to FIG. 1, a block diagram is shown of an orthogonal frequency division multiplexed (OFDM) receiver illustrating the phase noise contribution of the local oscillators (LO) of the radio portion of the OFDM receiver, and in which one or more embodiments of the invention may be practiced. The OFDM receiver **100** (also referred to as the receiver **100**) includes an antenna **102**, a radio portion **104** and a baseband processing portion **106**. The radio portion **104** includes local oscillators, shown collectively as local oscillator **108** (hereinafter referred to as LO **108**), which introduces phase noise, shown as noise **110**, into the receiver **100**. The noise **110** is summed with the signals from the local oscillator **108** (illustrated at summer **114**) and multiplied with the received signal at mixer **112**. As is common, the received signal is converted from RF (radio frequency) to an incoming signal **116** (also referred to as a "baseband/IF signal") sent to the baseband processing portion **106**. The incoming signal **116** may be a baseband signal (also referred to as a "baseband I/Q signal"). In some embodiments, the incoming signal **116** may be an intermediate frequency signal (also referred to as an IF signal) which is converted to baseband in the baseband processing portion **106**. The frequency translation from RF to baseband can be done in multiple steps of frequency conversions. As such, the incoming signal **116** includes phase noise **110** as introduced by the LO **108** of the radio portion **104** of the OFDM receiver **100**. In reality, the incoming signal **116** will also include phase noise as introduced by the local oscillators at the OFDM transmitter that transmits the OFDM signal to the receiver **100** as well as other noise introduced by the channel, e.g., changes in the multipath, movements of the receiver and transmitter relative to each other, and thermal noise.

One solution to reducing the phase noise contribution of the LO **108** is to design a radio portion **104** having good phase noise performance characteristics. However, in such an implementation where the radio portion **104** and the baseband processing portion **106** are integrated into one or more devices (i.e., chips), the design of such a radio portion **104** is difficult and costly, particularly as higher order modulations are used.

In accordance with one embodiment of the invention, the specifications of the radio portion **104** are relaxed such that a certain amount of phase noise **110** introduced by the LO **108** is acceptable. Advantageously and according to one embodiment, the phase noise **110** introduced by the LO **108**

is compensated for by the baseband processing portion **106** of the OFDM receiver **100**. Thus, the baseband processing portion **106** works to effectively relax the phase noise performance requirements of the radio portion **104**, which allows the radio portion **104** to be designed anticipating the poorer phase noise performance. Thus, the radio portion **104** can be implemented more easily and inexpensively. The key to such embodiments is understanding the relationship between both the radio portion **104** and the baseband processing portion **106**. A typical approach might be to optimally design the radio portion **104** and then optimally design the baseband processing portion **106**. Such an approach leads to a complex and expensive radio portion **104** requiring good phase noise performance. That is, the phase noise introduced by the LO **108** does not need to be further corrected and is sufficient to support signaling at the specified modulations. However, as the modulation constellation increases, for example, moving from 16-QAM to 64-QAM to 256-QAM, less and less phase noise introduced by the LO **108** can be tolerated. Otherwise, with such higher-order constellations, the same phase noise introduced by the LO **108** is more likely to result in constellation points being confused. Thus, as the modulation constellation increases, the specifications of the radio portion **104** become increasingly more stringent. Thus, a radio portion **104** with good phase noise performance becomes more difficult and expensive to implement as the constellation complexity increases.

However, by relaxing the requirements of the radio portion **104** such that the radio portion **104** contributes phase noise **110** that might otherwise result in constellation point errors (possibly resulting in an unacceptable symbol error rate), a simpler and less expensive radio portion is implemented. Furthermore, advantageously the phase noise contribution of the LO **108** is tracked and removed using a pilot tracking loop employing a maximum likelihood estimator in the baseband processing portion **106** of the receiver **100**. Thus, the baseband processing portion **106** effectively reduces the phase noise contribution of the LO **108** of the radio portion **104** without requiring that the radio portion **104** have good phase noise performance. Thus, the baseband processing portion **106** and the radio portion **104** are designed together to provide an integrated OFDM receiver **100** that is more easily implementable on a single device and that can support many symbol by symbol modulations, such as MPSK or M-ary QAM, e.g., constellations of 64-QAM or higher.

Further details regarding the specific techniques of using the baseband processing portion **106** to effectively reduce the phase noise contribution of the LO **108** of the radio portion **104** are described below.

Referring next to FIG. 2, a diagram is shown of the PHY-layer frame structure for the 802.11a standard used in OFDM communications, for example, by the OFDM receiver **100** of FIG. 1. Shown is a frame **200** having a preamble **202** and a data portion **204**. The preamble **202** includes a short symbol portion **206** including **10** short symbols ( $t_1$ - $t_{10}$ ) and a long symbol portion **208** including two long symbols ( $T_1$  and  $T_2$ ). The data portion **204** includes multiple data symbols **210** (also referred to as OFDM symbols or simply symbols). Each long symbol  $T_1$  and  $T_2$  and each data symbol **210** having a guard time interval **212** preceding it. The frame **200** is also referred to as a PHY-layer frame or a medium access control (MAC) frame.

According to these standards, the preamble **202** is chosen which is well suited to measuring frequency errors quickly in the communication system, but is substantially less ideal for measuring precision time of signal arrival. As is well

known in the art, the short symbol portion **206** is used for signal detection, diversity selection, coarse frequency offset estimation, and timing synchronization. The long symbol portion **208** is used for channel estimation and fine frequency offset estimation. Following the preamble **202**, each OFDM symbol **210** consists of a properly time-windowed set of modulated subcarriers (e.g., sine waves) and a guard time interval **212**. As is well known in the art, this guard time interval **212** is utilized to allow the communication channel's transient to decay before transmitting the next OFDM symbol **210**. According to the IEEE 802.11a standard, this guard time interval **212** is  $0.8 \mu\text{s}$  and the symbol **210** length is  $3.2 \mu\text{s}$ . Note that the guard time interval in the long symbol portion **208** is twice the duration of that preceding each data symbol **210**, i.e.,  $1.6 \mu\text{s}$ . According to the HiperLAN2 standard, the guard time interval **212** is selectable between  $0.4 \mu\text{s}$  or  $0.8 \mu\text{s}$  while the symbol **210** length is  $3.2 \mu\text{s}$ . As such, the guard time interval **212** is long enough such that all reflections of the transmitted symbol **210** are adequately reduced prior to transmission of the next OFDM symbol **210**.

As is well known in the IEEE 802.11a and the HiperLAN2 waveforms, each symbol, whether the data symbol **210** or one of the long symbols  $T_1$  and  $T_2$ , includes **48** data bearing subcarriers and a plurality of pilot subcarriers (also referred to as "pilot tones" or simply as "pilots") buried within the signal that do not transport data, e.g., 4 pilots in the IEEE 802.11a and HiperLAN2 waveforms. According to the IEEE 802.11a standard, these pilots occupy subcarrier positions  $\pm 7\Delta F$  and  $\pm 21\Delta F$  of each symbol. As such, the phase behavior of the pilots is precisely known aside from channel related impairments and LO phase noise. Since the phase noise imposed on these pilot tones is the same phase noise that is imposed upon all of the subcarriers, it is possible to mitigate much of the LO phase noise by phase tracking these pilots. However, since finite signal-to-noise ratio (SNR) at the OFDM receiver input also contributes phase noise to all of the subcarriers, the effective noise bandwidth of the tracking algorithm can not be made arbitrarily large. Rather, the bandwidth of the tracking algorithm is based upon a compromise between LO-related phase noise suppression and additive noise due to the finite input SNR.

According to one embodiment of the invention, during the long symbols  $T_1$  and  $T_2$  of the long symbol portion **208**, complex signal measurements are taken for each pilot tone and stored in rectangular form as a respective pilot reference point for each pilot tone of the MAC frame **200**. Then, a pilot phase error metric of a pilot tracking loop processes complex signal measurements for all of the pilots of each subsequent data symbol **210** along with the pilot reference points to produce an estimate of the aggregate phase error of the current OFDM data symbol as compared to the actual phase at the beginning of the MAC frame **200**. The pilot phase error metric is based on a maximum likelihood estimation approach in how the complex signal measurements of the pilots and the pilot reference points are combined. Advantageously, this embodiment estimates the aggregate phase error of the data symbol without having to explicitly calculate the amplitude and phase of the individual pilots in the long symbol portion **208** or calculate the amplitude and phase of the individual pilots of each data symbol **210**. Next, the estimation of the aggregate phase error of the current data symbol is then fed back through a loop filter and used to rotate the phase of the incoming baseband IQ signal for the next OFDM data symbols so that they will be received with an improved phase error. This

maximum likelihood estimation-based approach in the pilot phase error metric is a departure from conventional methods in that it tracks the pilot aggregate of the data symbols, rather than only tracking the strongest of the plurality of pilots of the data symbols. Thus, the maximum likelihood pilot phase error metric compensates for the poor phase noise performance of the radio portion of the OFDM receiver. A natural by-product of the maximum likelihood metric is that it also maximizes the effective SNR for the pilot symbols considered as a whole. The additional SNR permits greater suppression of the LO phase noise by these disclosed techniques. The maximum likelihood formulation automatically adjust the effective contribution made by each pilot even in the presence of frequency selective fading, delivering the lowest variance phase error estimate possible.

Referring next to FIG. 3, a functional block diagram is shown of a pilot tracking loop 300 of the baseband processing portion of the OFDM receiver of FIG. 1, which utilizes a pilot phase error metric based on a maximum likelihood estimation approach for estimating the phase error of OFDM data symbols in accordance with one embodiment of the invention. Shown is the incoming signal 116 (which may be a baseband signal or an IF signal, for example), a phase rotator 302, an FFT 304 (fast Fourier transform, which may be referred to generically as a "Fourier transform"), a switch 306 having positions A (solid line) and B (dashed line), a reference point storage 308, a pilot phase error metric 310, a pseudo random pilot modulation generator 312 (hereinafter referred to as a PN pilot modulation generator 312), a loop filter 314, a summation 318, a coarse and fine frequency estimate signal 320 and an NCO 316 (numerically controlled oscillator, which may be referred to generically as an "oscillator").

The incoming signal 116 is input to the phase rotator 302. The phase rotator 302 is coupled to the FFT 304, which is coupled to the switch 306. In position A, the switch 306 is coupled to the pilot reference storage 308, which is coupled to the pilot phase error metric 310. In position B, the switch 306 is directly coupled to the pilot phase error metric 310. The PN pilot modulation generator 312 is also coupled to the pilot phase error metric 310. Additionally, the loop filter 314 couples the pilot phase error metric 310 to the NCO 316 via the summation 318 and the NCO 316 is coupled back to the phase rotator 302. The summation 318 sums the output of the loop filter 314 with the coarse and fine frequency estimate signal 320, which is then output to the NCO 316.

In operation, the pilot tracking loop 300 (also referred to as a phase-locked loop) is used to track the phase changes of all of the plurality of pilots for each symbol in order to correct or minimize the phase error for subsequent data symbols relative to the reference points measured, for example, during the preamble. Initially, the pilot tracking loop determines reference points for each of the respective pilots since the amplitudes and phases of the received pilots are completely unknown and may vary from pilot to pilot within each symbol due to the multipath and the time of arrival. In one embodiment, the pilots of the long symbols  $T_1$  and  $T_2$  of the OFDM preamble waveform are used to determine the reference points. As such, when the long symbols of the incoming signal 116 pass through the phase rotator 302, they are unchanged in phase since the pilot tracking loop is not yet activated, i.e., the switch 306 is in position A. During the long symbol portion of the preamble, a channel estimate is made by the FFT 304 and saved, e.g., the complex signal measurements  $I+jQ$  for each pilot are extracted at the FFT 304 and saved in the reference point storage 308. The reference points for each pilot are saved in

rectangular form as  $U_k$  and  $v_k$  (where  $k=0,1,2$  and  $3$ ), which represent the I (in-phase) and Q (quadrature) values, respectively, for each pilot tone. During this time (i.e., when the switch 306 is in position A), the NCO 316 is preset to the proper initial conditions and the loop filter 314 updating is disabled.

After the pilot reference points  $u_k$  and  $v_k$  are determined for each pilot using the FFT 304, the subsequent data symbols of the incoming signal 116 are processed by the FFT 304 one at a time. The switch 306 is now moved to position B, which activates the pilot tracking loop. The outputs of the FFT 304, i.e., complex signal measurements, corresponding to each of the pilots of the current data symbol are input to the pilot phase error metric 310 which is based upon a maximum likelihood estimation approach using each of the pilots of the data symbol as compared to the respective stored reference points  $u_k$  and  $v_k$  for each pilot. The result of the pilot phase error metric 310 is an aggregate phase error estimate over the respective data symbol. As previously mentioned, in this embodiment, the pilot phase error metric 310 advantageously uses all of the pilots to produce its estimate. It is important that all of the pilots of each data symbol are tracked in order to mitigate the effect of frequency selective fading over the frequency range of the OFDM data symbol.

The loop filter 314 is updated based upon the output of the pilot phase error metric 310. Since the pilot phase error metric 310 and the loop filter 314 track relatively small frequencies, the coarse/fine frequency estimate signal 320 (obtained from the channel estimation process during the long symbols of the preamble at another portion of the OFDM receiver) is summed with the output of the loop filter 314 at summation 318. Thus, the loop filter 314 then modifies the NCO 316 which causes the phase rotator 302 to de-rotate the incoming signal 116 to keep the aggregate phase error as low as possible. The loop filter 314, summation 318 and the NCO 316 are well known components that may be found in many phase-locked loops as known in the art.

Additionally, as is well known, the PN pilot modulation generator 312 provides the pseudo random number sequence to remove the random BPSK (binary phase shift keying) modulation applied to each of the pilot tones as given in the IEEE 802.11a standard.

The pilot tracking loop 300 includes phase rotator 302 for receiving and phase de-rotating the incoming signal 116, the switch 306, the reference point storage 308, the pilot phase error metric 310, the loop filter 314, and the NCO 316 while advantageously utilizing the FFT 304 which is required within the OFDM receiver. It is also noted that in this embodiment, the phase rotator 302 is provided before the FFT 304 in the receiver such that the phase error is corrected prior to the FFT 304 operation. In the event the incoming signal 116 comprises an IF signal, the phase rotator also converts this IF signal to a baseband signal or a baseband I/Q signal. Thus, whether the incoming signal 116 is a baseband signal or an IF signal, the output of the phase rotator is a baseband signal.

Referring next to FIG. 4, a functional block diagram is shown of the pilot phase error metric of the pilot tracking loop of FIG. 3 which is based upon maximum likelihood estimation in accordance with one embodiment of the invention. Shown is the pilot phase error metric 310 including multiplexers 402 and 404, a maximum likelihood phase error/weighting processor 406, a quality estimator 408, a phase error estimator 410, and a random pilot modulation

removal **412**. Also shown are the PN pilot modulation generator **312** and the reference point storage **308** which includes a  $u_k$  storage **414** and a  $v_k$  storage **416**. Input I and Q samples from the FFT **304** for the respective pilots of the OFDM data symbols are illustrated as signals **418** and **420** for pilot #0, signals **422** and **424** for pilot #1, signals **426** and **428** for pilot #2, and signals **430** and **432** for pilot #3.

Again, as the long symbol portion of the incoming baseband signal is processed by the FFT, the frequency bins of the FFT that correspond to the four pilots of the long symbols are saved as  $u_k$  and  $v_k$  within the  $u_k$  storage **414** and the  $v_k$  storage **416**, where  $k=0,1,2$  and  $3$ . Thus,  $u_k$  and  $v_k$  are complex signal measurements in rectangular form for each pilot that represent the reference points in IQ space for each of the four pilots (i.e., pilot #0, pilot #1, pilot #2 and pilot #3). These pilot reference points are saved for use in the maximum likelihood phase error/ weighting processor **406**.

The information from the FFT operation can be represented as  $A_k$  (amplitude of the  $k^{th}$  pilot subcarrier) and  $\theta_k$  (phase of the  $k^{th}$  pilot subcarrier). If the discontinuous nature of the OFDM symbol subcarriers is ignored, the  $k^{th}$  pilot tone can be represented as:

$$r_k(t) = A_k S_k(t) e^{j\theta_k(t)} + n_k(t) \quad \text{Eq. (1)}$$

where  $r_k(t)$  is the received signal,  $S_k(t)$  is the transmitted signal and  $n_k(t)$  represents complex Gaussian noise having a two-sided power spectral density of  $N_0/2$  W/Hz. Thus, the beginning of the pilot-bearing OFDM signal train for a given OFDM symbol and pilot tone is represented as:

$$r_k(0) = A_k S_k(0) e^{j\theta_k(0)} + n_k(0) = u_k + jv_k \quad \text{Eq. (2)}$$

Next, after having stored the reference points, the pilot phase tracking loop is activated, e.g., the switch **306** of FIG. **3** is moved to position B. During the subsequent data portion of the MAC frame, each  $r_k(t)$  changes with time from data symbol to data symbol over the frame structure. Generally, it is desired to track the pilots having a larger amplitude because they are less influenced by the additive Gaussian noise of the receive channel, and also the channel phase near frequency-selective spectrum nulls will be erratic. Thus, the sampled tracking loop tracks the nominal pilot subcarrier phase departure from the phase of the reference point at the beginning of the frame structure for each pilot.

As such, the pilot tracking loop is activated and the complex signal measurements (Is and Qs) from the FFT corresponding to each of the respective pilots #0 through #3 for each subsequent data symbol are coupled to the respective one of multiplexers **402** and **404** to be input into the maximum likelihood phase error/weighting processor **406**. It is noted that the pilot reference points are stored in rectangular form as  $u_k$  and  $v_k$  and that the amplitude and phase of each of the pilot reference points is not actually calculated. It is also noted that the subsequent data symbol by data symbol complex signal measurements of the in-phase and quadrature terms for the same pilot tones during the rest of the burst reception are labeled as  $I_{k,m}$  and  $Q_{k,m}$ , where  $m$  is the data symbol time index. For example, the  $I_{k,m}$  values from the FFT operation for each data symbol are coupled to multiplexer **402** while the  $Q_{k,m}$  values from the FFT operation for each data symbol are coupled to multiplexer **404**. The multiplexers **402** and **404** function to buffer the  $I_{k,m}$  and  $Q_{k,m}$  values to the maximum likelihood phase error/weighting processor **406**. Thus, the maximum likelihood phase error/weighting processor **406** serially processes one set of  $I_{k,m}$  and  $Q_{k,m}$  values at a time such that redundant gates are not required to simultaneously perform the steps in the maximum likelihood phase error/weighting processor **406** in parallel.

The initial relative phase of each pilot subcarrier at the beginning of the frame can be largely removed by modifying  $r_k(t)$  of Eq. (1) for  $t>0$  per

$$rm_k(t) = r_k(t) e^{-j\theta_k(0)} \quad \text{Eq. (3)}$$

where  $rm_k(t)$  represents the  $k^{th}$  pilot after removal of the phase initial estimate for the particular pilot during the long symbol portion of the preamble. Substituting Eq. (3) in Eq. (1):

$$\begin{aligned} n_k(t) &= rm_k(t) - A_k S_k(t) e^{j(\theta_k(t) - \theta_k(0))} \\ &= rm_k(t) - A_k S_k(t) e^{j\phi_k(t)} \end{aligned} \quad \text{Eq. (4)}$$

where  $\phi_k$  is the actual pilot phase error of the  $k^{th}$  pilot of the data symbol relative to the pilot reference point, which is not explicitly calculated, but is assumed to be the same for all of the pilots of a given data symbol. In the OFDM waveform, the MAC frame time duration is purposely chosen such that the channel characteristics change very little over an individual MAC frame. Therefore, for a specific MAC frame, it is assumed that  $|A_k S_k(t)| = A_k$ , a constant. Thus, while the amplitudes of the individual pilots may be different from each other, the amplitude of each pilot ( $A_k$ ) from symbol to symbol will stay approximately constant over the course of the MAC frame. Since the pilot tracking loop of this embodiment primarily tracks phase rather than signal amplitude, some error in signal amplitude is acceptable.

The probability density function for an individual noise sample  $n_k$  is given by

$$pdf(n_k) = \frac{1}{2\pi\sigma^2} \exp\left\{-\frac{n_{kc}^2 + n_{ks}^2}{2\sigma^2}\right\} \quad \text{Eq. (5)}$$

where  $n_{kc}$  and  $n_{ks}$  are the real and imaginary parts of the  $k^{th}$  bin noise sample  $n_k$  and  $\sigma$  is the standard deviation of the Gaussian noise. Computing the log-likelihood function from Eq. (5), and then maximizing it, the maximum-likelihood estimator for the actual pilot phase error  $\theta$  for a data symbol is given by:

$$\hat{\theta} = \tan^{-1} \left\{ \frac{\sum_k A_k \text{Im}(rm_k)}{\sum_k A_k \text{Re}(rm_k)} \right\} \quad \text{Eq. (6)}$$

where  $\hat{\theta}$  is the estimate of the aggregate pilot phase error of a data symbol relative to the reference points looking at all of the pilots of the data symbol together.

Generally, the sum

$$\sum_k A_k^2$$

will be nearly equal to a constant due to the AGC (automatic gain control) action that precedes the A/D converter in the baseband processing portion. If the receive channel is flat (i.e., no frequency selective fading present), then the  $A_k$  terms will all have the same value and Eq. (6) reduces to the classical maximum-likelihood estimator that is commonly seen for carrier phase.

In rectangular form instead of polar form, the complex signal measurements corresponding to the  $k^{th}$  pilot of the  $m^{th}$  data symbol are represented as:

$$r_{k,m} = I_{k,m} + jQ_{k,m} \quad \text{Eq. (7)}$$

where  $k=0,1,2$  and  $3$ . The phase rotation for the  $k^{th}$  pilot that must be applied to remove the phase argument as computed by the channel estimation process (i.e., the storage of  $u_k$  and  $v_k$ ) can be expressed as:

$$e^{-j\theta_k(0)} = \frac{u_k - jv_k}{\sqrt{u_k^2 + v_k^2}} \quad \text{Eq. (8)}$$

where  $e^{-j\theta_k(0)}$  is found in Eq. (3). Thus,  $rm_{k,m}$  for the  $m^{th}$  data symbol becomes:

$$rm_{k,m} = (I_{k,m} + jQ_{k,m}) \left( \frac{u_k - jv_k}{\sqrt{u_k^2 + v_k^2}} \right) \quad \text{Eq. (9)}$$

where  $rm_{k,m}$  represents the signal measurement of the  $k^{th}$  pilot after removal of the phase initial estimate, which is not explicitly calculated.

According to this embodiment of the maximum likelihood estimation based approach which tracks all of the pilots of the OFDM data symbol, each pilot signal contribution of Eq. (9) is then weighted by the signal amplitude  $A_k$  of the  $k^{th}$  pilot. Even though the amplitudes  $A_k$  are time varying, they generally do not vary over the duration of the MAC frame such that  $A_k(t)$  approximates the  $A_k$  measurement at the beginning of the MAC frame, e.g., from the reference points  $u_k + jv_k$  of the long symbol duration. Thus, the amplitude to weight each of the pilot contributions is given by:

$$A_k(t) \approx A_k(0) = \sqrt{u_k^2 + v_k^2} \quad \text{Eq. (10)}$$

Multiplying Eq. (9) by Eq. (10), the quantity  $A_k rm_{k,m}$  is a complex signal given by:

$$A_k rm_{k,m} = [u_k I_{k,m} + v_k Q_{k,m}] + j[u_k Q_{k,m} - v_k I_{k,m}] \quad \text{Eq. (11)}$$

Summing each of the complex signals  $A_k rm_{k,m}$  for the  $k$  pilots produces a complex composite signal looking at all of the pilots of a data symbol together and is given by:

$$\sum_{k=0}^3 A_k rm_{k,m} = \sum_{k=0}^3 [(u_k I_{k,m} + v_k Q_{k,m}) + j(u_k Q_{k,m} - v_k I_{k,m})] \quad \text{Eq. (12)}$$

Thus, based upon Eq. (6), the aggregate phase error estimate for the  $m^{th}$  data symbol,  $\hat{\theta}_m$ , is the argument of the complex composite signal for all pilots together,

$$\sum_{k=0}^3 A_k rm_{k,m},$$

which is represented mathematically by:

$$\hat{\theta}_m = \arg \left( \sum_{k=0}^3 A_k rm_{k,m} \right) \quad \text{Eq. (13)}$$

It is noted that Eq. (13) must be adjusted to deal with the random bi-phase modulation of the pilot subcarriers during

the frame; however, the quantity in Eq. (13) is the estimate that is produced by the pilot phase error metric, and is further shown in more detail below as Eq. (14).

The argument of the complex composite signal (i.e., Eq. (13)) is determined by the phase error estimator **410** and is based upon the maximum likelihood estimation approach of Eq. (6), which is re-written below in Eqs. (14) through (16). Preferably, using a cordic-based arctangent method on the real and imaginary parts of the complex composite signal in the phase error estimator **410**, the output of the phase error estimator **410** is given by Eq. (14). In alternative embodiments, making use of the small angle approximation within the phase error estimator **410**, Eq. (14) can be recast as Eqs. (15) and (16):

$$\hat{\theta}_m = \tan^{-1} \left[ \frac{\sum_{k=0}^3 (u_k Q_{k,m} - v_k I_{k,m})}{\sum_{k=0}^3 (u_k I_{k,m} + v_k Q_{k,m})} \right] \quad \text{Eq. (14)}$$

$$\cong \sin^{-1} \left[ \frac{\sum_{k=0}^3 (u_k Q_{k,m} - v_k I_{k,m})}{\sum_{k=0}^3 (u_k I_{k,m} + v_k Q_{k,m})} \right] \quad \text{Eq. (15)}$$

$$\approx \frac{\sum_{k=0}^3 (u_k Q_{k,m} - v_k I_{k,m})}{\sum_{k=0}^3 (u_k I_{k,m} + v_k Q_{k,m})} \quad \text{Eq. (16)}$$

where  $\hat{\theta}_m$  is the aggregate phase error of the  $m^{th}$  data symbol relative to the pilot reference points at the beginning of the OFDM MAC frame. Thus, the maximum likelihood/weighting processor **406** calculates the quantities in the numerator and the denominator of Eqs. (14) through (16) while the quantity  $\hat{\theta}_m$  of Eqs. (14) through (16) is determined in the phase error estimator **410**. The quantities in the numerator and the denominator of Eqs. (14) through (16) are weighted averages producing composite I and Q signals that represent the deviation of the pilots of the current data symbol compared to the reference points measured at the beginning of the frame.

With the AGC present and the fact that the actual pilot phase error  $\theta$  for a data symbol will be kept small by the pilot tracking loop, it can suffice to use the small angle approximation and use only the numerator portion of Eq. (6) for the pilot tone phase error metric as

$$\hat{\theta} \approx \sum_k A_k \text{Im}(rm_k) \quad \text{Eq. (17)}$$

Again, it is noted that the random bi-phase modulation applied to the pilots at the OFDM transmitter is removed by the random pilot modulation removal **412**, which uses a pseudo random sequence which is known a priori from the PN pilot modulation generator **312**. Thus, the output of the random pilot modulation removal **412** is the aggregate phase error of the processed data symbol,  $\hat{\theta}_m$ .

As previously described, the multiplexers **402** and **404** buffer the I and Q samples for each pilot of the symbol received from the FFT operation. Thus, when the maximum likelihood phase error/weighting processor **406** calculates the numerator and denominator of Eqs. (14) through (16), it only processes one pilot at a time. This reduces the overall gate count in a design implemented in a chip. However, it is

noted that redundant gates may be used in place of the multiplexers **402** and **404** in other embodiments. Additionally, all calculations done within the maximum likelihood phase error/weighting processor **406** are done in rectangular form, instead of in polar form, for simplification reasons.

As shown above, advantageously, the pilot phase error metric **310** does not actually calculate the amplitude or phase of the individual pilot reference points, nor does it calculate the amplitude and phase of individual pilots of each subsequent data symbol. Likewise, the pilot phase error metric **310** does not actually calculate the relative phase error of individual pilots of each data symbol compared to each pilot reference point. The pilot phase error metric **310** advantageously uses pre-signal detection combining techniques to combine the complex signal measurements (from the FFT operation) of the pilots to be used as the pilot reference points and the complex signal measurements of the pilots of each subsequent data symbol in such a way that a complex composite signal is generated prior to signal detection. This complex composite signal represents a weighted pilot phase error for the aggregate of the pilots of the  $m^{\text{th}}$  data symbol relative to the pilot reference points. Thus, the maximum likelihood phase error/weighting processor **406** determines the composite signals for the numerator and denominator of Eq. (14).

Furthermore, the phase error estimator **410** performs the signal detection by computing the arctangent in Eq. (14) to obtain the aggregate phase error for the  $m^{\text{th}}$  data symbol. Thus, by advantageously combining the complex signal measurements in the maximum likelihood phase error/weighting processor **406** prior to the signal detection in the phase error estimator **410**, a processing gain of approximately  $10 \log_{10} n$  (where  $n$  is the number of pilots) is realized in comparison to performing signal detection on each individual pilot of the data symbol and then averaging them to obtain the aggregate phase error of the data symbol, e.g., approximately 6 dB in the 4 pilot case. In other words, signal detection on the individual pilots would amount to estimating the amplitude and phase of each pilot of the data symbol in order to determine a phase error for each pilot and then averaging the phase errors to determine the aggregate phase error for the entire data symbol. Thus, in one embodiment, the pilot phase error metric **310** performs pre-signal detection combining.

Additionally, as described above, the phase error estimator **410** determines the phase angle of the aggregate phase error  $\theta_m$  or phase noise of the signaling, a potentially large portion of which is due to the phase noise contribution of the LO of the radio portion of the OFDM receiver. A preferred approach is to use a cordic-based arctangent method (see Eq. (14)) and an alternative approach is to use a small angle approximation (see Eq. (16)). The cordic-based arctangent approach does not require large bit-width multiplications. It only shifts and adds. The small angle approximation should be faster than the cordic-based arctangent approach, but it involves large bit width multiplication or division and is more prone to difficulties with the numerical dynamic range.

In one embodiment, the cordic-based arctangent approach is implemented such that the cordic iteration is performed between 8 and 15 times. Cordic-based arctangent methods are well known in the art, thus, no further explanation is required.

Thus, the pilot phase error metric **310** advantageously provides a maximum likelihood estimation based approach for the pilot phase error relative to the pilot reference points for all of the pilots of the OFDM symbols. According to one

embodiment, it is important to track all of the pilots to reduce the effects of frequency selective fading across the OFDM symbols and reduce the variance of the estimator as well. For example, the phase may not change uniformly for all of the pilots as the channel conditions change. A single pilot may have the strongest SNR (e.g., the highest amplitude) and its phase changes noticeably from symbol to symbol; however, the phase of the other pilots may remain unchanged, or have changed only slightly, from symbol to symbol. These other pilots may also continue to have a lower amplitude than the amplitude of the strongest pilot. As such, due to frequency selective fading, the strongest pilot does not accurately reflect the phase characteristics of the entire OFDM data symbol. However, by tracking and performing a maximum likelihood based estimation using all of the pilots, a more accurate picture of the signal phase across the OFDM symbol is estimated such that the phase contribution due to the multipath and also introduced by the LO of the OFDM radios can be minimized. Furthermore, by keeping the phase error minimized, it is possible to use higher order modulations, such as M-ary QAM, e.g., 64-QAM or 256-QAM, without severe performance degradation. It is noted that several of the embodiments of the invention will reduce this phase error for many symbol by symbol modulations, such as MPSK and M-ary QAM.

Further advantageously, a natural by-product of the maximum likelihood metric of this embodiment is that it also maximizes the effective SNR for the pilot symbols considered as a whole. The additional SNR allows enhanced phase noise tracking resulting in greater suppression of the LO phase noise.

Additionally, the quality estimator **408** calculates a measure of the pilot tracking loop's quality, which is required elsewhere in the signal processing of the OFDM receiver. A convenient measure is the total power present in the 4 pilot subcarriers of each symbol given by:

$$P_T = \sum_{k=0}^3 [u_k^2 + v_k^2] \quad \text{Eq. (18)}$$

Note that the quality estimator **408** may be integrated with the maximum likelihood phase error/weighting processor **406**.

It is noted that Eqs. (12) through (16) and Eq. (18) are specifically for a waveform having 4 pilots ( $k=0,1,2$  and  $3$ ); however, these equations may be written more generally for a waveform having  $n$  pilots with the summation term expressed as

$$\sum_{k=0}^{n-1}$$

Referring next to FIG. 5, a graph is shown illustrating the LO phase noise contribution vs. frequency offset in Hz using no pilot tracking and pilot tracking according to the embodiment of FIGS. 3 and 4. Line **502** represents the LO phase contribution spectrum without pilot tracking techniques synthesized at 4 GHz. Note that the graph of FIG. 5 does not include channel additive Gaussian noise. For example, it is estimated that in an embodiment where the radio portion is highly integrated, the achievable phase noise performance in a free running on-chip VCO may be approximately  $-78$  dBc/Hz at 10 kHz offset. Thus, with the IEEE 802.11a waveform, the integrated phase noise interfering with each subcarrier is on the order of 2.7 degrees rms, which is

excessive for 64-QAM and above. In general, in one embodiment, the achievable phase noise performance in a free running on-chip VCO is greater than about  $-80$  dBc/Hz at 10 kHz offset. Also, in one embodiment, it is noted that phase noise is present in both the transmitter and receiver ends and that above about 1.5 degrees rms, the integrated phase noise interfering with each subcarrier at the receiver end becomes excessive for 64-QAM communications.

Line 504 represents the phase noise contribution spectrum of the LO of the radio portion with the pilot phase tracking of the embodiments described above, such that the phase noise contribution is significantly reduced, particular at lower frequency offsets. Thus, it is estimated that the integrated phase error interfering with each subcarrier can be substantially improved, the actual amount being a function of the signal constellation type and the prevailing channel SNR.

Referring next to FIG. 6, a flowchart is shown for the steps performed by the pilot phase error metric in accordance with one embodiment of the invention. Initially, the pilot reference points are determined for each pilot subcarrier of the OFDM waveform (Step 602). These reference points  $u_k$  and  $v_k$  are the complex reference points within IQ space which represent the respective pilots and are determined, in one embodiment, by taking the output of the FFT operation for each of the pilots of the long symbol portion of the preamble of the IEEE 802.11a waveform. Thus, these pilot reference points are received into the pilot phase error metric 310 of FIG. 3. This is performed when the pilot tracking loop of FIG. 3 is not activated, for example, the switch 306 of FIG. 3 is in position A. Next, these reference points are saved (Step 604), for example, in the reference point storage of FIGS. 3 and 4.

In another embodiment, the pilot reference points may be obtained by taking the output of the FFT operation for each of the pilots of a particular data symbol (e.g., data portion 204 of FIG. 2) within the data symbol portion of the MAC frame (e.g., data portion 204 of FIG. 2), rather than from the long symbol portion of the preamble. In some embodiments, the length of the data portion may be significantly longer in duration than that specified in the IEEE 802.11a standard and may require new pilot reference points to be obtained from within the data portion. For example, in such cases, the phase of the data symbols in the middle or near the end of the data portion may be quite different relative to the pilot reference points measured during the preamble. Thus, it may be desired to obtain new pilot reference points from locations within the data portion of a MAC frame to compare with the pilots for subsequent data symbols. Thus, the pilot reference points may be obtained using pilots of symbols from the preamble or from pilot from symbols in the data portion of a MAC frame.

Next, as the subsequent data symbols of the OFDM MAC frame enter the baseband processing portion of the OFDM receiver, the pilot tracking loop is activated (e.g., switch 306 of FIG. 3 is now in position B). As such, complex signal measurements are determined in the FFT operation for each of the plurality of pilots for a subsequent data symbol, or more generically, a subsequent symbol (Step 606). In one embodiment, these complex signal measurements are received at the pilot phase error metric of FIG. 3. This is done by taking the outputs of the frequency bins of the FFT operation corresponding to the respective pilot subcarriers.

Next, the pilot phase error metric performs pre-detection combining and computes a complex signal for each pilot of the subsequent data symbol based upon the pilot reference points and the complex signal measurements for the pilots of

the subsequent data symbol (Step 608). For example, the complex signal for each pilot of the subsequent data symbol is given by Eq. (11). Next, the complex signals are summed to produce a complex composite signal (Step 610). For example, the complex composite signal for the subsequent data symbol is represented in Eq. (12). It is noted that the pilot phase error metric deals strictly with vectors and thus, no phase is actually determined at this point, i.e., signal detection has not yet occurred.

Next, the aggregate pilot phase error for the subsequent data symbol is estimated (Step 612). This estimate is obtained by determining the argument of the complex composite signal, for example, as given in Eq. (13). The argument of the complex composite signal is determined as guided by Eq. (6) in the phase error estimator 410 of FIG. 4 and may be done using a cordic-based arctangent approach (see Eq. (14)) or a small angle approximation approach (see Eqs. (15) and (16)). Note that signal detection occurs during Step 612, for example, in the arctangent operation. Thus, Steps 602 through 612 apply a pilot phase error metric based on a maximum likelihood-based estimation that advantageously tracks all of the pilots for each data symbol of the OFDM waveform.

It is noted that this estimate must be modified to remove the pseudo random modulation present on the pilots. For example, this is removed at the random pilot modulation removal 412 of FIG. 4, which uses the PN pilot modulation generator 312.

Next, the estimate of the aggregate phase error is used to modify the pilot tracking loop and then Steps 606 through 614 are repeated until the end of the MAC frame (Step 614). This is done by the updating the loop filter 314 of FIG. 3, which adjusts the NCO 316 of FIG. 3. The NCO 316 causes the phase rotator 302 of FIG. 3 to de-rotate the incoming baseband signal 116 to minimize the phase error of the next symbols, e.g., the next data symbols. Then Steps 606 through 614 are repeated for the next OFDM data symbol (or more generally, the next OFDM symbol) in an iterative fashion.

In one embodiment, Steps 602, 606, 608 and 610 are performed by the maximum likelihood phase error/weighting processor 406 of FIG. 4. Step 612 is performed by the phase error estimator 410 of FIG. 4. Conveniently, all of the calculations of the maximum likelihood phase error/weighting processor 406 are carried out in rectangular form to simplify the implementation.

The steps of FIG. 6 are typically performed as a set of instructions that are performed in dedicated hardware for optimum speed in the calculations or in software using a processor or other machine to execute the instructions to accomplish the given steps. Ideally, the steps of FIG. 6 are performed by the pilot tracking loop of the baseband processing portion of an OFDM receiver having a pilot phase error metric and utilizing the FFT operation of the OFDM receiver. Additionally, the baseband processing portion and the radio portion of the OFDM receiver may be integrated on to one or more devices or chips.

Next, generally referring to the pilot tracking loop 300 of FIG. 3, in operation and according to one embodiment, the FFT 304 must wait to receive all of the samples of a given data symbol before it begins processing them. Then, the FFT 304 processes the samples in order to produce the complex signal measurements that are input to the pilot phase error metric 310. Then, the pilot phase error metric 310 processes these complex signal measurements as described with reference to FIGS. 4-6. Once an estimate of the aggregate phase error is obtained, the loop filter 314 is updated which

causes the NCO 316 to make adjustments to the phase rotator 302 to minimize the phase error for subsequent data symbols. Thus, in addition to having to wait the entire 3.2  $\mu\text{sec}$  length of each subsequent data symbol before the FFT 304 may begin processing, it is estimated that the total processing delay in the FFT 304 and the pilot phase error metric 310 is about another 3  $\mu\text{sec}$ . This overall delay of about 6  $\mu\text{sec}$  negatively impacts the maximum allowable closed-loop bandwidth of the pilot tracking loop 300.

Due to this delay, the optimum transient response performance (i.e., dead-beat response in only two samples) according to one embodiment of the pilot tracking loop of FIG. 3 occurs when  $\omega_n T=1$  and damping factor  $\zeta=0.75$  are selected. This choice also corresponds to the maximum closed-loop bandwidth achievable in the sampled control pilot tracking loop. For example, the maximum closed-loop bandwidth is approximately 40 kHz for the 250 kHz OFDM symbol rate (of the IEEE 802.11a and HyperLAN2 standards). While this tracking loop bandwidth is sufficient to track and reduce local oscillator phase noise at small frequency offsets, it is too small to help reduce local oscillator phase noise at larger frequency offsets, for example, frequency offsets in the 100 kHz range, as is illustrated in FIG. 7 below.

Briefly referring to FIG. 7, an illustration is shown of the closed-loop transfer functions of the pilot tracking loop as shown in FIG. 3. The LO phase noise transfer function 704 and the pilot tracking loop phase noise transfer function 702 are illustrated, when the update rate is 250 kHz (i.e., 1/4.0  $\mu\text{sec}$ ), and when  $\omega_n T=1$  (i.e.,  $\omega_n$  is about 13.9 kHz) and a damping factor  $\zeta=0.75$  are selected, which corresponds to a maximum closed loop tracking bandwidth of 40 kHz. It is noted that this illustration does not include additive Gaussian noise. As can be seen, at frequency offsets of about 40 kHz, since the gain margin for this optimum transient response is only about 2.5 dB, noise peaking rather than suppression happens near the edge of the tracking loop bandwidth. This noise peaking is on the order of about 10 dB, which actually worsens the phase noise performance and increases the likelihood of symbol errors at larger frequency offsets. In general, smaller closed loop bandwidths must be used for this reason.

Referring next to FIG. 8, a functional block diagram is shown of a pilot tracking loop of the baseband processing portion of the OFDM receiver of FIG. 1, which includes a pilot phase error metric utilizing a maximum likelihood estimator for the phase error of OFDM data symbols in accordance with another embodiment of the invention. Shown are the incoming signal 116, the phase rotator 302, a baseband signal 810 which is output from the phase rotator 302, a cyclic prefix removal 802, the FFT 304, and a channel estimator 804. Also shown is a pilot tracking loop 806, which includes the phase rotator 302, a pilot phase error metric 808 (also referred to as the phase error metric), the loop filter 314, the summation 318, the coarse and fine frequency estimate signal 320 and the NCO 316. Also shown is the PN pilot modulation generator 312.

The incoming signal 116 is input to the phase rotator 302. As described above, the incoming signal 116 may be a baseband signal or an IF signal. The output of the phase rotator 302, i.e., the baseband signal 810 or baseband I/Q signal, is coupled to both the cyclic prefix removal 802 and the pilot phase error metric 808. The output of the cyclic prefix removal 802 is coupled to the FFT 304, which is coupled to the channel estimator 804. It is noted that in some embodiments, the cyclic prefix removal 802 occurs before the phase rotator 302, such that the output of the phase rotator 302 is coupled directly to the FFT 304. Thus, the

cyclic prefix removal 802 is an optional functional component illustrated in dashed lines. Furthermore, in some embodiments and as is known in the art, there may be other functional modules or processing operations that occur in between the phase rotator 302 and the FFT 304 in place of or in addition to the cyclic prefix removal 802. Within the pilot phase tracking loop 806, the output of the pilot phase error metric 808 is coupled to the loop filter 314, which is coupled to the NCO 314, which is coupled back to the phase rotator 302. Since the pilot phase error metric 310 and the loop filter 314 track relatively small frequencies, the output of the loop filter 314 is summed at summation 318 with the coarse and fine frequency estimate signal 320. The coarse and fine frequency estimate signal 320 is commonly derived at the channel estimator 804. The pilot phase error metric 808 is also coupled to the NCO 314 in order to preset the NCO 314. The PN pilot modulation generator 312 is coupled to the pilot phase error metric 808.

Advantageously in this embodiment, rather than using the FFT 304 to process and produce the complex signal measurements needed for the pilot phase error metric, the pilot phase error metric 808 generates the complex signal measurements itself. This reduces the processing delay that occurs while waiting for the FFT operation to be completed, which will increase the allowable closed-loop bandwidth.

Although the improved pilot tracking loop 806 does not utilize the FFT 304, the FFT 304 is still part of the OFDM baseband processing portion of the OFDM receiver. As shown, the incoming signal 116 passes through the phase rotator 302. In this embodiment, the output of the phase rotator 302 goes through the cyclic prefix removal 802 prior to entering the FFT 304. The cyclic prefix removal 802 removes the guard time interval prepended to each OFDM symbol. However, it is noted that the output of the phase rotator 302 may be directly routed to the FFT 304, the cyclic prefix removal occurring elsewhere. It is also understood that other functional modules or processing steps may be located in between the phase rotator 302 and the FFT 304, in place of or in addition to the cyclic prefix removal 802. The FFT 304 continues to process the baseband IQ signal. For example, according to IEEE 802.11a and HyperLAN2, the channel estimator 804 utilizes the outputs of the FFT 304 to determine the initial coarse frequency estimate from short symbols (e.g.,  $t_i$  through  $t_{10}$ ) of the OFDM preamble and the fine frequency estimate from the long symbols (e.g.,  $T_1$  and  $T_2$ ) of the OFDM preamble. This information is used to generate the coarse and fine frequency estimate signal 320 needed in the pilot tracking loop 806.

Instead of relying on the FFT 304 to generate the complex signal measurements needed for the pilot phase error metric 808, the output of the phase rotator, i.e., the baseband signal 810, is routed to both the FFT 304 (e.g., through the cyclic prefix removal 802) and the pilot phase error metric 808 of the pilot tracking loop 806 in parallel paths, i.e., path A and path B. This embodiment of the pilot tracking loop 806 is a departure from those known in the art. The fact that the incoming signal 116 is phase de-rotated prior to the FFT operation is unique. Most pilot tracking techniques take place and adjust the phase after the FFT operation. Furthermore, processing the baseband signal 810 in parallel paths, shown as path A and path B, with the FFT 304 is unique. Again, in known OFDM receivers, pilot tracking, if present occurs after the completion of the FFT operation, not in a parallel path to the FFT operation. Thus, the presence of path B for pilot tracking is not known in the existing art.

Advantageously, according to this embodiment, all pilot tracking occurs before the FFT 304 operation, such that the



phase error for subsequent symbols, e.g., subsequent data symbols, is reduced prior to these subsequent OFDM data symbols being processed by the FFT 304. Thus, the output of the phase rotator 302 is routed to the pilot phase error metric 808, which outputs an estimate of the aggregate phase error over the entire OFDM data symbol. This estimate is used to update the loop filter 314, which triggers the NCO 316 to rotate the phase of the incoming signal 116 for subsequent OFDM symbols.

The pilot phase error metric 808 is similar to the pilot phase error metric 310 of FIG. 3, but includes respective discrete Fourier transforms (DFTs) to generate complex signal measurements corresponding to each of the respective pilot subcarriers of the OFDM symbols. See FIG. 9 for more details on the pilot phase error metric 808. Thus, the pilot phase error metric 808 of FIG. 8 determines its own pilot reference points ( $u_k$  and  $v_k$ ) and saves them. Then the pilot phase error metric 808 determines complex signal measurements ( $I_{k,m}$  and  $Q_{k,m}$ ) corresponding to each of the pilot subcarriers of subsequent symbols and processes them as the pilot phase error metric 310 of FIG. 3.

However, since the pilot phase error metric 808 does not have to wait for the FFT 304 operation to be complete, the pilot phase error metric 808 may generate an aggregate phase error almost immediately after receiving the last time sample of the baseband signal 810 for a given symbol. This reduces the time delay within the pilot tracking loop, which will increase the allowable closed-loop bandwidth. In contrast, the FFT 304 of FIGS. 3 and 8 waits until it receives all of the samples of the given OFDM symbol, e.g., given OFDM data symbol, to begin processing them.

Referring next to FIG. 9, a functional block diagram is shown of the pilot phase error metric of the pilot tracking loop of FIG. 8 using a maximum likelihood estimation performed in accordance with one embodiment of the invention. Shown is the pilot phase error metric 808 including a discrete Fourier transform portion 901 (hereinafter referred to as DFT portion 901), multiplexers 402 and 404, a maximum likelihood phase error/weighting processor 406, a quality estimator 408, a phase error estimator 410, and a random pilot modulation removal 412. The DFT portion 901 includes DFTs 902, 904, 906 and 908 (each of which may be referred to generically as Fourier transforms). Also shown are the PN pilot modulation generator 312 and the reference point storage 308, which includes a  $u_k$  storage 414 and a  $v_k$  storage 416.

In operation, the pilot phase error metric 808 of FIG. 9 works similarly to the pilot phase error metric 310 of FIG. 4. However, rather than relying on the FFT to determine the respective pilot reference points  $u_k$  and  $v_k$  and to determine the complex signal measurements for the  $m^{\text{th}}$  subsequent data symbol  $I_{k,m}$  and  $Q_{k,m}$ , these values are determined in the DFT portion 901 by respective ones of DFTs 902, 904, 906 and 908. Each of these DFTs is configured to process the respective pilots of the OFDM waveform. For example, according to one embodiment, during the long symbol portion of the OFDM of the preamble, DFT 902 determines the complex signal measurements in rectangular form for pilot #0 (i.e., DFT 902 determines  $v_0$ ), DFT 904 determines the complex signal measurements in rectangular form for pilot #1 (i.e., DFT 904 determines  $u_1$  and  $v_1$ ), DFT 906 determines the complex signal measurements in rectangular form for pilot #2 (i.e., DFT 906 determines  $u_2$  and  $v_2$ ), and DFT 908 determines the complex signal measurements in rectangular form for pilot #3 (i.e., DFT 908 determines  $u_3$  and  $v_3$ ). These values of  $u_k$  and  $v_k$  are stored in the reference point storage 308, i.e., in the  $u_k$  storage 414

and a  $v_k$  storage 416. It is noted that the reference point storage 308 is not shown in FIG. 8. This reference point storage 308 may be embodied within the pilot phase error metric 808 or separately, as shown, such that the reference point storage 308 couples to the pilot phase error metric 808. With respect to Step 602 of FIG. 6, respective ones of DFTs 902, 904, 906 and 908, not the FFT operation of the OFDM receiver, determine the pilot reference points for each of a plurality of  $k$  pilots. As described with reference to FIG. 4, these pilot reference points are saved for use in the maximum likelihood phase error/weighting processor 406.

Next, as the subsequent data symbols of the OFDM MAC frame are received, the pilot tracking loop 806 is activated. As such, complex signal measurements are determined by the DFT portion 901 using respective ones of DFTs 902, 904, 906 and 908 for each of the plurality of pilots for the subsequent symbols, e.g., subsequent data symbols, rather than using the FFT operation. Thus the DFTs 902, 904, 906 and 908 determine the complex signal measurements ( $I_{k,m}$  and  $Q_{k,m}$ ) corresponding to each of the pilot subcarriers of subsequent symbols. Once these values of  $I_{k,m}$  and  $Q_{k,m}$  are determined, they are coupled to multiplexers 402 and 404 and processed by the maximum likelihood phase error/weighting processor 406, the phase error estimator 410 and the random pilot modulation removal 412 as described with reference to FIGS. 4 and 6 in order to produce an estimate of the aggregate phase error of the processed data symbol,  $\hat{\theta}_m$ . Thus, the phase error metric 808 also follows the same steps as recited in FIG. 6; however, Steps 602 and 606 are performed by the DFT portion 901, instead of FFT 304.

It is noted that in some embodiments, the data portion of the MAC frame may be much longer in duration than that specified in IEEE 802.11a. In such cases, it may be necessary to obtain and store updated pilot reference points at one or more locations within the data portion in addition to or in place of pilot reference points obtained from the preamble portion of the MAC frame. For example, at a specified symbol (e.g., data symbol) within the data portion, the complex measurements obtained for the pilots of a particular OFDM data symbol are stored as pilot reference points, replacing the pilot reference points previously obtained during the preamble portion of the OFDM waveform. Thus, in Step 602 of FIG. 6, the pilot reference points may be obtained from the pilots of an OFDM symbol, e.g., an OFDM data symbol, within the data portion of the MAC frame. Next, the complex signal measurements of the pilots of subsequent OFDM symbols, e.g., subsequent OFDM data symbols, are compared to the pilot reference points obtained from within the data portion of the MAC frame.

In this embodiment, since the pilot phase error metric 808 does not have to wait for the FFT 304 operation to be complete, the pilot phase error metric 808 generates an aggregate phase error almost immediately after receiving the last time sample of the baseband IQ signal output from the phase rotator 302 for a given symbol. This reduces the time delay within the pilot tracking loop, which will increase the allowable closed-loop bandwidth. In contrast, the FFT 304 of FIGS. 3 and 8 waits until it receives all of the samples of the given OFDM data symbol to begin processing them. According to one embodiment, the time delay from the arrival of the last input sample pair (I,Q) of the current OFDM symbol into the pilot phase error metric 808 to the computation of the output of the phase error metric 808,  $\hat{\theta}_m$ , should be less than or equal to 10 clocks at 40 MHz. Ideally, the total transport delay through the pilot phase error metric 808 should be kept to less than 10% of an OFDM symbol, i.e., about 0.40  $\mu\text{sec}$ . Advantageously, this represents a

significant savings in time as compared to using the output bins of the FFT as described with reference to FIGS. 3–5.

It is noted that in some embodiments, the pilot phase error metric **808** of FIG. 8 and the pilot phase error metric **310** of FIG. 3 may employ other metrics to track the phase error of the OFDM data symbols. For example, rather than determining an aggregate phase error estimate of the current OFDM data symbol relative to the pilot reference points for each of the pilots of the preamble or for each of the pilots of a data symbol within the data portion of the MAC frame, a phase error estimate may be determined by tracking the pilots of the current OFDM data symbol relative to the strongest pilot of the preamble. Even such pilot phase error metrics when applied in the pilot tracking loops of FIGS. 3 and 8 are a departure from the known art since the phase rotation is applied to the incoming signal for subsequent OFDM data symbols prior to being input into the FFT operation of the OFDM receiver.

Referring next to FIG. 10, a functional block diagram is shown of one embodiment of the DFT portion **901** of the phase error metric of FIG. 9. Illustrated is the DFT portion **901** including the baseband signal **810** input into correlation processors **1002** and **1003**, sign reversal modules **1004** and **1005**, and Integrate and dump modules **1006** and **1007**.

In correlation processor **1002**, the inphase (I) and quadrature (Q) terms of the baseband signal **810** are correlated with the respective ones of the sine and cosine of the output of a numerically controlled oscillator **1010** at  $7 \Delta F$  (hereinafter referred to as NCO **1010**) at multipliers **1012**, **1014**, **1016**, and **1018**. The outputs of multipliers **1012** and **1014** are summed at summation **1020**, while the output of multiplier **1014** is subtracted from the output of multiplier **1012** at summation **1022**. The outputs of multipliers **1016** and **1018** are summed at summation **1024**, while the output of multiplier **1016** is subtracted from the output of multiplier **1018** at summation **1026**.

Similarly, in correlation processor **1003**, the inphase (I) and quadrature (Q) terms of the baseband signal **810** are correlated with the respective ones of the sine and cosine of the output of a numerically controlled oscillator **1011** at  $21 \Delta F$  (hereinafter referred to as NCO **1011**) at multipliers **1028**, **1030**, **1032**, and **1034**. The outputs of multipliers **1028** and **1030** are summed at summation **1036**, while the output of multiplier **1030** is subtracted from the output of multiplier **1028** at summation **1038**. The outputs of multipliers **1032** and **1034** are summed at summation **1040**, while the output of multiplier **1032** is subtracted from the output of multiplier **1034** at summation **1042**.

As is easily seen due to symmetries in the pilot tone frequencies, the number of discrete DFTs is reduced from 4 to 2. That is, the number of NCOs and complex cross multiplies is reduced from 4 to 2 in the correlation processors **1002** and **1003**. Since the pilots are located at  $\pm 7$  and  $\pm 21$  times the basic subcarrier spacing  $\Delta F$  (e.g., 312.5 kHz), the NCOs **1010** and **1011** operate at  $7\Delta F$  and  $21\Delta F$  respectively and the negative frequencies are realized by using different signs in the addition processes (e.g., respective ones of summations **1020**, **1022**, **1024**, **1026**, **1036**, **1038**, **1040** and **1042**) that immediately follow the multiplications (e.g., at respective ones of multipliers **1012**, **1014**, **1016**, **1018**, **1028**, **1030**, **1032** and **1034**). Since these two frequencies (i.e.,  $7\Delta F$  and  $21\Delta F$ ) are known a priori, and they are tied to the symbol timing, the outputs of NCOs **1010** and **1011** are straight forward known number sequences.

Next, polarity differences between the pilot tones due to the random bi-phase modulation (e.g., BPSK) that is imposed on the OFDM pilot subcarriers are removed using

respective ones of sign reversal multipliers **1044**, **1046**, **1048**, **1050**, **1052**, **1054**, **1056** and **1058** of the sign reversal modules **1004** and **1005**. This is due to the fact that depending on various modes, the polarity of all the pilot tones is not necessarily +1. For example, the polarity of one or more pilot tones may be set to +1 while the polarity of others of the pilot tones may be set to -1. Since these polarities are known a priori, they are corrected at the sign reversal modules **1004** and **1005**. This ensures that the removal of the random bi-phase modulation of the pilot subcarriers for the subsequent data symbols can be easily done at the conclusion of the pilot phase error metric **808**, e.g., by the random pilot modulation removal **312** of FIG. 8.

As such, the output of summations **1026** and **1020** are multiplied at sign reversal multipliers **1044** and **1046**, respectively, by  $S_0$ ; the output of summations **1024** and **1022** are multiplied at sign reversal multipliers **1048** and **1050**, respectively, by  $S_1$ ; the output of summations **1042** and **1036** are multiplied at sign reversal multipliers **1052** and **1054**, respectively; by  $S_2$ ; and the output of summations **1040** and **1038** are multiplied at sign reversal multipliers **1056** and **1058**, respectively, by  $S_3$ . The values of  $S_0$ – $S_3$  are either  $\pm 1$  depending on the specific system design. It is noted that if all of the pilot tones have the same polarity, e.g., +1, the sign reversal modules **1004** and **1005** are not needed. It is noted that the sign reversal modules **1004** and **1005** could occur either before the correlation processors **1002** and **1003**, or after the respective Integrate and dump modules **1006** and **1007**; however, the location was chosen in order to minimize the number of gates for implementation.

Next, the outputs of sign reversal modules **1004** and **1005** (or respective summations of the correlation processors **1002** and **1003**, if no sign reversing is required), are input to integrate and dump modules **1006** and **1007**. Each signal is input to a respective one integrators **1060**, which is then input to a respective one of shifters **1062**. The number of samples summed in the Integrators **1060** depends on whether the long symbols  $T_1$  and  $T_2$  of the long symbol portion **208** are being summed in the channel estimation (accumulating  $2 \times 3.2 \mu\text{sec}$  or 128 samples at 20 MHz (or 256 samples at 40 MHz)), i.e., Ch Est in FIG. 10, in order to determine the pilot reference points  $u_k$  and  $v_k$ , or whether the subsequent pilot symbols are being received to determine the  $I_{k,m}$  and  $Q_{k,m}$  values (accumulating  $3.2 \mu\text{sec}$  or 64 samples at 20 MHz (or 128 samples at 40 MHz)), i.e., Dat Sym in FIG. 10. Thus, the number of samples summed in the integrators **1060** depends on whether the DFT portion **901** is determining the pilot reference points (Step **602** of FIG. 6) or whether the DFT portion **901** is determining the complex signal measurements for each of the pilots of a subsequent data symbol (Step **606** of FIG. 6). Additionally, the shifters **1062** dump a number of bits from 0 to 2 depending on the clock rate, the type of symbol (e.g., channel estimation symbol (Ch Est) or data symbol (Dat Sym)), and the type of constellation type or modulation.

As is known, the integrate and dump modules **1006** and **1007** should be synchronized with the period of time recognized by the receiver as the active portion of the received OFDM symbol, and accumulation only occurs over this interval, e.g., a  $3.2 \mu\text{sec}$  window. The accumulation window should be similarly aligned in time with the channel estimation process, precisely in-synch with the FFT channel estimation process that is occurring in parallel at the channel estimator **804** of FIG. 8.

Thus, the DFT portion **901** outputs either the pilot reference points  $u_k$  and  $v_k$  or the complex signal measurements for the  $m^{\text{th}}$  subsequent data symbol  $I_{k,m}$  and  $Q_{k,m}$ . Thus, there

Is a respective OFT bin output for each of the plurality of pilots of the OFDM waveform. For example, as illustrated in FIG. 10, there is a separate DFT bin output for the pilots at  $+7\Delta F$ ,  $-7\Delta F$ ,  $+21\Delta F$  and  $-21\Delta F$ . These outputs are coupled to either the reference point storage 308 or one of multiplexers 402 and 404 as shown in FIG. 8.

It is noted that the functionality and design of the correlation processors 1002 and 1003, the sign reversal modules 1004 and 1005 and the integrate and dump modules 1006 and 1007 components of the DFT portion 901 of the phase error metric 808 are well understood in the art. It is also noted that the DFT portion 901 represents one embodiment of the DFT portion 901 including DFTs 902, 904, 906 and 908 of FIGS. 9. It is further noted that one of ordinary skill in the art could easily modify the DFT portion 901 to achieve slightly different results depending on the implementation.

Referring next to FIG. 11, an illustration is shown of the closed-loop transfer functions of the pilot tracking loop 806 of FIG. 8. The LO phase noise transfer function 1104 and the pilot tracking loop phase noise transfer function 1102 are illustrated, when the update rate is 250 kHz (i.e.,  $1/4.0 \mu\text{sec}$ ), and when  $\omega_n T=1$  (i.e.,  $\omega_n$  is about 13.9 kHz) and a damping factor  $\zeta=0.75$  are selected. It is noted that this illustration does not include additive Gaussian noise. This choice also corresponds to the maximum closed-loop bandwidth achievable in the sampled control pilot tracking loop. For example, the maximum usage closed-loop bandwidth is approximately 40 kHz for the 250 kHz OFDM symbol rate (of the IEEE 802.11a and HyperLAN2 standards) without the additional delay, in comparison to the maximum usable closed loop bandwidth of 15 kHz with the additional delay as shown in FIG. 7. Note that the maximum closed-loop bandwidth is derived from the symbol rate of 250 kHz divided by  $2\pi$  given an acceptable amount of delay. As can be seen, and in comparison to the illustration of FIG. 7, at frequency offsets of about 15 kHz, the noise peaking as shown in FIG. 7 is substantially reduced. Thus, due to the increased tracking loop bandwidth, the pilot tracking loop 806 of FIG. 8 is sufficient to track and reduce local oscillator phase noise at small frequency offsets, as well as at larger frequency offsets.

Referring next to FIG. 12, a graph is shown illustrating the LO phase noise contribution vs. frequency using no pilot tracking, pilot tracking according to the embodiment of FIGS. 3 through 4 and pilot tracking according to the embodiments of FIGS. 8 through 10. Line 502 represents the LO phase contribution spectrum without pilot tracking techniques synthesized at 4 GHz. Note that the graphs of FIG. 5 and FIG. 12 do not include channel additive Gaussian noise. For example, it is estimated that in one embodiment where the radio portion is highly integrated, the achievable phase noise performance in a free running on-chip VCO will be approximately  $-78 \text{ dBc/Hz}$  at 10 kHz offset. Thus, with the IEEE 802.11a waveform, according to one embodiment, the integrated phase noise interfering with each subcarrier is on the order of 2.7 degrees rms, which is excessive for 64-QAM and above. Generally, according to one embodiment, the achievable phase noise performance in a free running on-chip VCO is typically greater than about  $-80 \text{ dBc/Hz}$  at 10 kHz offset, which results in an integrated phase noise interfering with each subcarrier of greater than 2.5 degrees rms.

Line 504 represents the phase noise contribution spectrum of the LO of the radio portion with the pilot phase tracking of the embodiment of FIGS. 3 through 4 as described above, such that the phase noise contribution is significantly

reduced, particular at lower frequency offsets. It is also seen that at higher frequency offsets, e.g., between 10 kHz and 100 kHz, the phase noise actually worsens in comparison to not using any pilot tracking techniques. It is also noted that as the closed loop tracking bandwidth is increased in the pilot tracking loop of FIGS. 3 and 4, more and more instability results due to additional delay added. Although not illustrated in FIG. 12, this results in an even more pronounced phase noise peaking at about 25–30 kHz in comparison to that shown in line 504.

Line 1202 represents the phase noise contribution spectrum of the LO of the radio portion with the optimum pilot phase tracking of the embodiment of FIGS. 8 through 10 as described above, such that the phase noise contribution is also reduced, in comparison to no pilot tracking techniques and also in comparison to the phase noise contribution of the pilot phase tracking of FIGS. 3 through 4. In particular, the peaking shown in line 504 is reduced at higher frequency offsets, more closely resembling line 502 at frequency offsets greater than about 11 kHz. Thus, as can be seen, the phase noise performance in a free running on-chip VCO will be approximately  $-85 \text{ dBc/Hz}$  at a 10 kHz frequency offset. Thus, according to this embodiment, the integrated phase noise is advantageously reduced from about 2.7 degrees rms to about 0.48 degrees rms using the pilot tracking loop of FIG. 8. According to some embodiments, the integrated phase noise may be reduced from greater than about 2.5 degrees rms to less than about 1 degree rms, and more preferably, less than 0.5 degrees rms. This improvement in the phase noise makes it possible to reduce the requirements on the radio's LO phase noise performance. This improvement also makes it possible to support higher order modulations, such as MPSK and M-ary QAM, e.g., QPSK, 16-QAM, 64-QAM, 128-QAM, or higher.

Referring next to FIG. 13, a functional block diagram is shown illustrating the loop filter of the pilot tracking loop of FIG. 8 according to one embodiment of the invention. Illustrated are a signal decryption module 1302, the incoming signal 116 (which is a baseband signal in this embodiment), an NCO/phase rotator 1304 outputting baseband signal 810, the phase error metric 808, the loop filter 314, coarse/fine frequency estimate signal 320 and a summation 318. Also shown are path A and path B for the baseband signal 810.

Although the loop filter 314 is illustrated for the embodiment of FIG. 8, these details of the loop filter also apply to the embodiment of FIG. 3. It is noted that the signal decryption module 1302 is shown in FIG. 13, although not illustrated in FIG. 8. Thus, according to this embodiment, the incoming signal 116 received into the NCO/phase rotator 1304 has already been decrypted. Furthermore, in this illustration, for simplicity, the NCO and phase rotator functional blocks of FIG. 8 are combined into the NCO/phase rotator module 1304.

The loop filter 314, illustrated as a closed-loop tracking filter functions as a digital phase lock loop that tracks out small frequency errors remaining after the coarse and fine frequency estimation steps performed, for example, by the channel estimator 804 of FIG. 8. As described above, the input to the loop filter 314 is an estimate of the aggregate phase error of the processed data symbol relative to the average pilot phase of the pilot reference points,  $\hat{\theta}_m$ . In this embodiment, the loop filter 314 (and the NCO/phase rotator module 1304) is clocked at sampling rates of 20 MHz or 40 MHz and the loop filter 314 outputs 20-bit words (19.07 Hz/lsb at 20 MHz or 38.15 Hz/lsb at 40 MHz). Since the pilot phase error metric 808 and the loop filter track rela-

tively small frequencies, the coarse/fine frequency estimate signal **320** (from the channel estimation process during the long symbols of the preamble) is summed with the output of the loop filter **314** at summation **318**. The resulting output to the NCO/phase rotator module **1304** updates the NCO and causes the phase rotator to de-rotate the phase of the incoming baseband signal **116** in order to reduce phase error and noise over the symbols of the OFDM MAC frame.

Referring next to FIG. **14**, a functional block diagram is shown of a digital implementation of the loop filter of FIG. **13** according to another embodiment of the invention. Illustrated are the pilot phase error metric **808**, multiplier **1402**, summations **1404** and **1406**, bit shifters **1408** and **1410**, and z-transform **1412**. In this embodiment, the z-transform **1412** is a simple one clock delay. The output of the phase error metric **808** (or optionally, phase error metric **310**) is multiplied at multiplier **1402** with digital parameters  $K_{1f} * K_{1d}$ , to produce a digital phase lock loop proportional term **1414**, where digital parameter  $K_{1f}=1$  at 40 MHz ( $K_{1f}=2$  at 20 MHz) and digital parameter  $K_{1d}$  is derived by setting the loop natural frequency  $\omega_n$  and the damping factor  $\zeta$  at desired values and then computing the digital gains to achieve equivalent loop filter outputs for the digital implementation as compared to a classical analog PLL response.

In parallel to determining the proportional term **1414**, the output of the phase error metric **808** is input to bit shifter **1408** (which is a left shifter), which shifts the input word by  $K_{2d\_shifft} + K_{2s}$ , where digital parameter  $K_{2s}$  is 0 at 40 MHz or 2 at 20 MHz, and digital parameter  $K_{2d\_shifft}$  is derived by setting the loop natural frequency  $\omega_n$  and the damping factor  $\zeta$  at desired values and then computing the digital gains to achieve equivalent loop filter outputs for the digital implementation. The output of bit shifter **1408** is summed at summation **1406** with the output of the summation **1406** as output from z-transform **1412** (e.g., one clock delay) and fed back into summation **1406**. Also, the output of summation **1406** is also input to bit shifter **1410** (which is a right shifter) in order to produce the digital phase lock loop integral term **1416**. The integral term **1416** is summed with the proportional term **1414** at summation **1404** to produce the loop filter output **1418**.

The fixed-point Q numbers illustrated in FIG. **14** indicate the number of binary bits and the position of their relative binary points. Any change in the Q format after an operation implies truncation of the least significant bits after the binary points (the fractional part) and dropping the most significant bits before the binary point (the integer part) while preserving the msb sign bit. For example, the Q format for the product the output of the phase error metric **808** and  $K_{1f} * K_{1d}$  at multiplier **1402** is 16Q15t\*12Q0u or 28Q15t and is converted to 15Q2t by truncating 13 Isbs. Another example is the summation of the proportional term **1414** (15Q2t) and the integral term **1416** (16Q2t) at summation **1404** results in 16Q2t number and is converted to 14Q0t by dropping 2 Isbs. Rounding and saturation are assumed in these conversions.

The phase detector gain  $K_{dd}$  is such that the a full-scale error of 180 degrees yields a unity output, and the NCO step size  $K_{vd}$  is given by

$$K_{vd} = 2\pi \left( \frac{F_s}{2^{20}} \right),$$

where  $F_s$  is 40 MHz or 20 MHz, for example. Under these conditions, the digital gains  $K_1$  and  $K_2$  are given by:

$$K_1 = \omega_n \zeta \left( \frac{K_{vd}}{2\pi} \right)^{-1} \tag{Eq. (19)}$$

$$K_2 = \pi T_s \left( \frac{\omega_n^2}{K_{vd}} \right) \tag{Eq. (20)}$$

where  $\omega_n$  is the natural loop frequency,  $\zeta$  is the damping factor,  $K_{vd}$  is the NCO step size, and  $T_s$  is  $F_s^{-1}$ .

For  $\zeta=0.5$ ,  $\omega_n=2\pi 4000$  Hz,  $K_v=2\pi \cdot 100 \cdot 10^3$  and  $K_d=1$ , and approximately 69.813 Hz per 1° phase error, which corresponds to 32768/180 at the input to the loop filter, the digital proportional term **1414** output is:

$$K_{1d}=329 \text{ in } 12Q0u$$

$$1^\circ \text{ phase error} = \frac{32768}{180} = 182 \text{ in } 16Q15t$$

Proportional (1° phase error) =

$$182 \cdot 329 = 598 \text{ in } 28Q15t \xrightarrow{\text{truncate } 3 \text{ } lsb} 7.3 \rightarrow$$

$$7 \text{ in } 15Q2t \xrightarrow{\text{truncate } lsb \text{ and drop } 4 \text{ } msb} 1.75 \rightarrow$$

$$2 \text{ in } 9Q0t \approx 2 \cdot 38.15 \text{ Hz} = 76.3 \text{ Hz}$$

A subset of the possible settings for the loop filter digital parameters  $K_1$  and  $K_2$  for operation at a sampling rate of 40 MHz are shown in Table 1 below. Digital parameter  $K_{1d}$  is the rounded  $K_1$  value representing with 13-bit unsigned number (13Q0u) in the fixed-point implementation. Digital parameter  $K_{2d}$  is a fixed point representation of  $K_2 * 16$  and rounded to the closest power of 2's so that the multiplier on the integral path can be implemented with the left bit shifter **1408** as indicated in Table 1 by  $K_{2d\_shifft}$ . At the 20 MHz rate, the  $K_1$  and  $K_2$  values are as given in Table 1 except that they must be multiplied by factors of 2 and 4, respectively. In this embodiment, the output **1418** of the digital implementation of the loop filter **314** has resolution of

$$\frac{F_s}{2^{20}}$$

Hz per lsb.

It is noted that the loop filter **314**, such as the digital implementation illustrated in FIG. **14** is operated under processor control. Thus, the processor controlling the loop filter selects the appropriate digital parameters to ensure the best operation of the pilot phase tracking loop. It is further noted that the loop filter and the determination of the respective digital parameters as described herein is well understood in art.

TABLE 1

	$\omega_n/2\pi$	$\zeta$	$K_1$	$K_{1d}$ (13Q0u)	$K_2$	$K_2 * 16$ (Q4)	$K_{2d\_shifft}$
0	2000 Hz	0.50	167.71	168	0.05175	0.8	<<0
1	2000 Hz	0.707	232.90	233	0.05175	0.8	<<0
2	2000 Hz	0.90	296.48	294	0.05175	0.8	<<0
3	4000 Hz	0.50	329.42	329	0.20698	3.31	<<2
4	4000 Hz	0.707	465.8	466	0.20698	3.31	<<2
5	4000 Hz	0.90	592.96	593	0.20698	3.31	<<2
6	6000 Hz	0.50	494.13	494	0.46571	7.45	<<3
7	6000 Hz	0.707	698.7	699	0.46571	7.45	<<3
8	6000 Hz	0.90	889.43	889	0.46571	7.45	<<3

TABLE 1-continued

	$\omega_n/2\pi$	$\zeta$	$K_1$	$K_{1d}$ (13Q0u)	$K_2$	$K_2*16$ (Q4)	$K_{2d-shift}$
9	8000 Hz	0.50	658.84	659	0.82792	13.25	<<4
10	8000 Hz	0.707	931.6	932	0.82792	13.25	<<4
11	8000 Hz	0.90	1185.91	1186	0.82792	13.25	<<4
12	10000 Hz	0.50	823.55	824	1.29363	20.7	<<4
13	10000 Hz	0.707	1164.5	1165	1.29363	20.7	<<4
14	10000 Hz	0.90	1482.39	1482	1.29363	20.7	<<4
15	Res.	Res.	Res.	Res.	Res.	Res.	Res.
31	Res.	Res.	Res.	Res.	Res.	Res.	Res.

Referring next to FIG. 15, a functional block diagram is shown illustrating a simulated version of the digital loop filter of FIG. 14. Illustrated is the pilot phase error metric **1502**, multipliers **1502** and **1504**, summations **1506**, **1508** and **318**, and z-transform **1512**. Also shown are the probe points in the simulation, i.e., the pilot phase error metric **1520**, the DPLL proportional **1514**, the DPLL Integral **1516** and the DPLL output **1518**. The simulation was done using a fixed point Matlab simulation. The results of the simulation at the probe points are plotted in FIG. 16 for an initial frequency offset of 1000 HZ with  $\omega_n=2\pi 4000$  Hz,  $\zeta=0.5$ ,  $K_{1d}=329*2$  and  $K_{2d\_shift}=2+2$  at a 20 MHz rate. Line **1602** represents the output of the pilot phase error metric **1520**, line **1604** represents the DPLL proportional **1514**, line **1606** represents the DPLL Integral **1516** and line **1608** represents the DPLL output **1518** after being summed with the coarse/fine frequency estimate signal **320** at the summation **318**.

Thus, for a step change in frequency of about 1000 Hz, it can be seen that the transient peak time of occurrence is approximately 48.12 sec or 962 samples at 20 MHz and the peak phase error is approximately  $7.8^\circ$ . It is noted that in operation, the actual peak time of the phase error metric will be longer than 962 samples because the loop filter does not run during the guard interval of the OFDM symbol. Thus, as can be seen in the simulation, the pilot tracking loop quickly acquires the initial frequency error thereby eliminating frequency errors prior to the FFT in the OFDM receiver.

Referring briefly to FIG. 1, frequency pulling (due to slight impedance changes imposed on the output of the main local oscillator frequency synthesizer or LO **108**) and frequency pushing (due to primarily slight D.C. supply changes resulting from current load changes) can result in serious frequency errors particularly at the beginning of a user's time slot. Frequency pulling is a frequency error primarily caused by the switching of the OFDM transceiver between transmit and receive operations. It is noted that although FIG. 1 illustrates the OFDM receiver **100**, the OFDM receiver **100** may be a part of an OFDM transceiver including an OFDM transmitter. Such an OFDM receiver and OFDM transmitter may be integrated into one or more devices and together comprise the OFDM transceiver. Frequency pushing is a frequency error that arises from power supply noise or contamination. Frequency pushing is most problematic at frequencies on the order of the natural loop frequency  $\omega_n$  of the pilot tracking loop. It is noted that the concepts of frequency pulling and frequency pushing are well understood in the art. Furthermore, as described above, the total frequency error between an OFDM transmitter (not shown) and the OFDM receiver **100** should be on the order of 100 Hz or less for 64-QAM or higher modulation operation. This is a stringent requirement according to preferred embodiments where the operational frequency is in the 5 GHz range and 100 Hz represents roughly 0.02 parts-per-million (ppm). Thus, ideally, frequency pulling and fre-

quency pushing occurring at the beginning of an OFDM MAC frame should be kept to the 100 Hz maximum.

The pilot tracking loops are described above with reference to FIGS. 2-16 are designed to reduce phase/frequency errors by tracking the pilots of the OFDM waveform. Thus, at lower frequency offsets, the pilot tracking loop (e.g., pilot tracking loops **300** and **806** in the baseband processing **106** portion) adequately reduces this effect. However, in cases where frequency pulling and frequency pushing cause a frequency error greater than 100 Hz, the pilot tracking loop may be further modified to minimize this effect.

Since frequency pulling and frequency pushing primarily occur at the beginning of a time slot, and according to one embodiment of the invention, the closed loop bandwidth of the pilot tracking loop is operated wider than the nominally designed closed loop tracking bandwidth at the front end of the time slot when receiving OFDM data symbols in order to minimize the phase tracking error due to the frequency transient. Then, the closed loop bandwidth of the pilot tracking loop is subsequently reduced later in the time slot to the nominally designed closed loop tracking bandwidth once the frequency error has been adequately contained. Generally, widening the closed loop bandwidth improves the frequency error pull-in time and frequency pulling and pushing issues of the pilot tracking loop up to a point, but it also allows more Gaussian noise contribution to fall within the pilot tracking loop.

In some embodiments, the RF frequency pushing and pulling are kept to the 100 Hz maximum. The PTL is designed such that it can be used to mitigate frequency pushing and pulling problems at the beginning of a user burst if this objective is not met. In doing this, the PTL closed-loop bandwidth can be increased at the front-end of the time slot in order to minimize the phase tracking error due to the frequency transient and the bandwidth subsequently reduced later in the time slot once the frequency error has been adequately contained. The larger bandwidth will result in poorer performance due to Gaussian channel noise however, so the degree of bandwidth expansion used must be chosen to optimize the overall result.

Generally, the parameters of the pilot tracking loops **300** and **806** are designed to minimize the overall quantity given by

$$\theta_{Tot} = \theta_{Transient} + \eta \sqrt{\theta_{AWGN}^2 + \theta_{LO}^2} \quad \text{Eq. (21)}$$

where  $\theta_{Transient}$  is the peak phase transient caused by any initial frequency error at the beginning of a user burst,  $\theta_{AWGN}$  is the Gaussian rms noise contribution from the receive channel that falls within the PTL noise bandwidth, and  $\theta_{LO}$  is the phase noise contribution from the transmitter and receiver local oscillators that still remains after clean-up by the PTL. In Eq. (21),  $\eta$  is a confidence factor that should be taken to be in the range of 1.0 to 3.0.

The choice of PTL parameters that minimize  $\theta_{Tot}$  of Eq. (21) primarily depend upon (a) the received signal SNR, (b) the phase noise spectrum of the transmitter and receiver local oscillators, and (c) the amount of initial frequency error that must be handled at the beginning of each time slot. If for a given scenario an acceptably small  $\theta_{Tot}$  cannot be achieved relative to the signal constellation type being used (e.g., 16-QAM), the net result is a loss of receiver sensitivity. Thus, as can be seen in Eq. (21), the effect of increasing the closed loop tracking bandwidth is an increase in the total phase error. Thus, once the effects of frequency pulling and frequency pushing are sufficiently reduced, the closed loop bandwidth of the pilot tracking loop is reduced. This allows for the OFDM transceiver to be able to support communi-

cations of at least QPSK modulation (i.e., 4-ary QAM) or higher, e.g., 16-QAM, 64-QAM, etc.

Referring next to FIG. 17, a flowchart is shown of the steps performed to reduce the effects of frequency pulling and frequency pushing according to another embodiment of the invention. Initially, the OFDM receiver detects the beginning of an OFDM MAC frame (Step 1702). The preamble of the MAC frame is processed as described above. Normally, once the preamble is finished and the OFDM data symbols are received in the data portion of the MAC frame, the pilot tracking loop is activated, such that the pilot tracking loop has a nominal closed loop tracking bandwidth.

According to one embodiment, if it is determined that frequency pulling and frequency pushing are causing a frequency error between receive and transmit operations greater than a specified amount (e.g., 100 Hz in this embodiment), the closed loop tracking bandwidth operated at a closed loop tracking bandwidth that is greater than the nominal closed loop tracking bandwidth during a specified number of OFDM data symbols at the beginning of the data portion of the MAC frame (Step 1704). It is noted that the amount of the increase in the closed loop bandwidth above the nominal closed loop tracking bandwidth and the number of data symbols that the increased bandwidth is used varies depending on the requirements of the particular system. Furthermore, it is noted that operating the bandwidth above the nominally designed closed loop tracking bandwidth for a given system is normally not desirable since this allows for more Gaussian noise to be introduced into the pilot tracking loop.

Next, after the specified number of OFDM data symbols, the closed loop tracking bandwidth is subsequently reduced back to the nominal closed loop tracking bandwidth (Step 1706). With careful altering of the closed loop tracking bandwidth, the effects of frequency pulling and frequency pushing can be reduced, e.g., reduced such that the frequency error between transmitter and receiver is less than the prescribed amount, (in this case, reduced to less than 100 Hz). According to this embodiment, in order to minimize the additional Gaussian noise contribution, the closed loop bandwidth is returned to the nominal value. It is noted that according to this embodiment, the closed loop tracking bandwidth is altered during the data portion of a single OFDM MAC frame. Again, the increase in the bandwidth above the nominally designed closed loop tracking bandwidth and the duration of increase will vary depending on the system.

The steps of FIG. 17 are typically performed as a set of instructions that are performed in dedicated hardware or in software using a processor or other machine to execute the instructions to accomplish the given steps. For example, the steps of FIG. 17 are performed by the pilot tracking loop of the baseband processing portion of an OFDM receiver as controlled by a processor or other component.

While the invention herein disclosed has been described by means of specific embodiments and applications thereof, numerous modifications and variations could be made thereto by those skilled in the art without departing from the scope of the invention set forth in the claims.

What is claimed is:

1. A pilot phase tracking loop for an orthogonal frequency division multiplexed (OFDM) receiver comprising:
  - a phase rotator for receiving an incoming signal;
  - a Fourier transform coupled to an output of the phase rotator;
  - a pilot phase error metric coupled to an output of the Fourier transform for determining a phase error estimate associated with a received OFDM symbol;

a loop filter coupled to an output of the pilot phase error metric; and

an oscillator coupled to an output of the loop filter, the oscillator having an output coupled to the phase rotator for causing the phase rotator to rotate the phase of the incoming signal by the filtered phase error estimate for subsequent OFDM symbols such that the phase noise of the signaling output from the phase rotator is reduced;

wherein the pilot phase error metric uses a maximum likelihood estimation that processes complex signal measurements from the Fourier transform corresponding to each of a plurality of pilots of the received OFDM symbol in comparison to pilot reference points obtained from each of a plurality of pilots of a previous OFDM symbol.

2. The pilot phase tracking loop of claim 1 wherein the Fourier transform comprises a fast Fourier transform.

3. The pilot phase tracking loop of claim 1 wherein the pilot phase error metric uses the maximum likelihood estimation that processes the complex signal measurements from the Fourier transform corresponding to each of the plurality of pilots of the received OFDM symbol in comparison to the pilot reference points for each of the plurality of pilots of an OFDM preamble waveform.

4. The pilot phase tracking loop of claim 1 further comprising a pilot reference point storage coupled to the output of the Fourier transform and coupled to the pilot phase error metric for storing the pilot reference points corresponding to each of the plurality of pilots.

5. The pilot phase tracking loop of claim 1 further comprising a pseudo random pilot modulation generator coupled to the pilot phase error metric for removal of a priori known pseudo-random pilot modulation.

6. The pilot phase tracking loop of claim 1 further comprising a radio portion of the OFDM receiver that provides the incoming signal to the phase rotator, the radio portion including a local oscillator, wherein the pilot phase tracking loop compensates for phase noise introduced by the radio portion and phase noise introduced by a transmitting radio portion of an OFDM transmitter communicating with the OFDM receiver.

7. The pilot phase tracking loop of claim 1 wherein a phase noise of the signaling output from the phase rotator after rotation is reduced.

8. The pilot phase tracking loop of claim 7 wherein the phase noise of the signaling output from the phase rotator after rotation is reduced to less than about 1 degree rms.

9. The pilot phase tracking loop of claim 8 wherein the phase noise of the incoming signal received at the phase rotator is less than about 2.5 degrees rms.

10. The pilot phase tracking loop of claim 7 wherein the phase noise of the signaling output from the phase rotator after rotation is reduced to less than about 0.5 degrees rms.

11. The pilot phase tracking loop of claim 10 wherein the phase noise of the incoming signal received at the phase rotator is less than about 2.5 degrees rms.

12. The pilot phase tracking loop of claim 7 wherein the phase noise performance of a local oscillator of a radio portion of the OFDM receiver is greater than about -80 dBc/Hz at a 10 kHz offset.

13. A pilot phase tracking loop for an orthogonal frequency division multiplexed (OFDM) receiver comprising:
 

- a phase rotator for receiving and adjusting the phase of an incoming signal corresponding to an OFDM waveform;
- a Fourier transform coupled to an output of the phase rotator;

a pilot phase error metric coupled to an output of the Fourier transform;

a loop filter coupled to the pilot phase error metric; and an oscillator coupled to the loop filter and having an output coupled to the phase rotator;

wherein the pilot phase error metric uses a maximum likelihood estimation that processes complex signal measurements from the Fourier transform corresponding to each of a plurality of pilots of an OFDM symbol in comparison to pilot reference points obtained from each of the plurality of pilots of a previous OFDM symbol.

14. The pilot phase tracking loop of claim 13 wherein the Fourier transform comprises a fast Fourier transform.

15. The pilot phase tracking loop of claim 13 further comprising a pilot reference point storage coupled to the output of the Fourier transform and coupled to the pilot phase error metric.

16. The pilot phase tracking loop of claim 13 wherein the pilot phase error metric uses the maximum likelihood estimation that processes the complex signal measurements from the Fourier transform corresponding to each of the plurality of pilots of the OFDM symbol in comparison to the pilot reference points corresponding to each of the plurality of pilots of an OFDM preamble waveform.

17. The pilot phase tracking loop of claim 13 further comprising a radio portion of the OFDM receiver that provides the incoming signal to the phase rotator, wherein the radio portion includes a local oscillator, wherein the pilot phase tracking loop compensates for phase noise introduced in the radio portion and phase noise introduced by a transmitting radio portion of an OFDM transmitter communicating with the OFDM receiver.

18. The pilot phase tracking loop of claim 17 wherein the phase noise of the incoming signal output from the phase rotator is reduced.

19. The pilot phase tracking loop of claim 18 wherein as a result of the reduced phase noise of the incoming signaling output from the phase rotator, a phase noise performance of the OFDM receiver using M-ary QAM, M-PSK, and other digital modulation waveforms is improved.

20. A method for tracking pilot phase in an orthogonal frequency division multiplexed (OFDM) receiver comprising:

receiving an incoming signal corresponding to an OFDM preamble waveform at a Fourier transform of the OFDM receiver;

determining pilot reference points corresponding to a plurality of pilots of the OFDM preamble waveform;

receiving the incoming signal corresponding to an OFDM symbol at the Fourier transform;

determining complex signal measurements corresponding to each of the plurality of pilots of the OFDM symbol;

determining a phase error estimate corresponding to the OFDM symbol;

filtering the phase error estimate; and

rotating a phase of the incoming signal for subsequent OFDM symbols to be received at the Fourier transform after the OFDM symbol by the filtered phase error estimate, wherein a phase noise of the incoming signal for the subsequent OFDM symbols is reduced;

wherein the determining the phase error estimate comprises determining an aggregate phase error estimate of the OFDM symbol relative to the pilot reference points using the complex signal measurements corresponding

to each of the plurality of pilots of the OFDM symbol and the pilot reference points; and

wherein the determining the aggregate phase error estimate step comprises performing a maximum likelihood-based estimation using the complex signal measurements and the pilot reference points.

21. The method of claim 20 wherein the receiving the incoming signal representing the OFDM preamble waveform comprises receiving the incoming signal representing the OFDM preamble waveform at a fast Fourier transform of the OFDM receiver.

22. The method of claim 20 wherein the receiving the incoming signal representing the OFDM symbol comprises receiving the incoming signal representing the OFDM symbol at a fast Fourier transform.

23. The method of claim 20 further comprising updating an oscillator with the filtered phase error estimate, wherein the oscillator causes the rotating step.

24. The method of claim 20 wherein the determining the aggregate phase error estimate is represented mathematically as:

$$\hat{\theta}_m = \tan^{-1} \left[ \frac{\sum_{k=0}^{n-1} (u_k Q_{k,m} - v_k I_{k,m})}{\sum_{k=0}^{n-1} (u_k I_{k,m} + v_k Q_{k,m})} \right]$$

where  $\hat{\theta}_m$  is the aggregate phase error for the OFDM symbol having a time index m, wherein  $u_k$  and  $v_k$  represent in-phase (I) and quadrature (Q) values, respectively, for the pilot reference points for n pilots of the OFDM preamble waveform, and where  $I_{k,m}$  and  $Q_{k,m}$  represent the complex signal measurements corresponding to the  $k^{th}$  pilot of the  $m^{th}$  OFDM symbol.

25. The method of claim 20 wherein the determining the pilot reference points comprises determining the pilot reference points corresponding to the plurality of pilots of a long symbol portion of the OFDM preamble waveform.

26. The method of claim 25 wherein the determining the pilot reference points and the complex signal measurements steps comprise processing the incoming signal corresponding to the long symbol portion and the incoming signal corresponding to the OFDM symbol with the Fourier transform.

27. A method of pilot phase tracking in an orthogonal frequency division multiplexed (OFDM) receiver comprising:

receiving an incoming signal representing an OFDM waveform at a Fourier transform of the OFDM receiver;

determining a phase error estimate corresponding to an OFDM symbol of the OFDM waveform based upon the output of the Fourier transform;

filtering the phase error estimate; and

rotating a phase of the incoming signal for subsequent OFDM symbols to be received at the Fourier transform after the OFDM symbol by the filtered phase error estimate, wherein the phase noise of the incoming signal for the subsequent OFDM symbols is reduced; wherein the determining the phase error estimate step comprises determining an aggregate phase error estimate of the OFDM symbol relative to a pilot phase corresponding to a previous OFDM symbol;

wherein the determining the phase error estimate step further comprises:

**33**

determining pilot reference points corresponding to a plurality of pilots corresponding to the previous OFDM symbol;  
determining complex signal measurements corresponding to the plurality of pilots of the OFDM symbol; 5  
wherein the determining the aggregate phase error estimate includes processing the complex signal measurements and the pilot reference points using a maximum likelihood-based estimation.

**28.** The method of claim **27** wherein the determining the 10  
phase error estimate comprises determining the aggregate phase error estimate of the OFDM symbol relative to the pilot phase corresponding to an OFDM preamble portion of the OFDM waveform.

**34**

**29.** The method of claim **28** wherein the determining the phase error estimate step further comprises:  
determining the pilot reference points corresponding to the plurality of pilots corresponding to the OFDM preamble portion of the OFDM waveform;  
determining the complex signal measurements corresponding to the plurality of pilots of the OFDM symbol;  
wherein the determining the aggregate phase error estimate includes processing the complex signal measurements and the pilot reference points using the maximum likelihood-based estimation.

\* \* \* \* \*