



US006456245B1

(12) **United States Patent**
Crawford

(10) **Patent No.:** **US 6,456,245 B1**
(45) **Date of Patent:** **Sep. 24, 2002**

(54) **CARD-BASED DIVERSITY ANTENNA STRUCTURE FOR WIRELESS COMMUNICATIONS**

(75) Inventor: **James A. Crawford**, San Diego, CA (US)

(73) Assignee: **Magis Networks, Inc.**, San Diego, CA (US)

(*) Notice: Subject to any disclaimer, the term of this patent is extended or adjusted under 35 U.S.C. 154(b) by 0 days.

(21) Appl. No.: **09/735,977**

(22) Filed: **Dec. 13, 2000**

(51) **Int. Cl.**⁷ **H01Q 1/24**

(52) **U.S. Cl.** **343/702; 343/700 MS; 455/277.1**

(58) **Field of Search** **343/700 MS, 702, 343/725, 846, 849; 235/492; 455/275, 277.1; H01Q 1/24**

(56) **References Cited**

U.S. PATENT DOCUMENTS

3,488,445 A	1/1970	Chang	179/15
4,538,153 A	8/1985	Taga	343/700
5,138,328 A	8/1992	Zibrik et al.	343/702
5,146,232 A	9/1992	Nishikawa et al.	343/713
5,282,222 A	1/1994	Fattouche et al.	375/1
5,369,670 A	11/1994	Zagloul et al.	375/84
5,402,136 A	3/1995	Goto et al.	343/729
5,410,748 A	4/1995	Hayashi et al.	455/277.1
5,420,599 A	5/1995	Erkocevic	343/828
5,463,406 A	10/1995	Vannatta	343/725
5,486,836 A	1/1996	Kuffner et al.	343/700
5,487,069 A	1/1996	O'Sullivan et al.	370/94.3
5,552,798 A	9/1996	Dietrich et al.	343/893
5,555,268 A	9/1996	Fattouche et al.	375/206
5,650,788 A	7/1997	Jha	343/700
5,657,028 A	8/1997	Sanad	343/700
5,680,144 A	10/1997	Sanad	343/700
5,832,031 A	* 11/1998	Hammons	375/262
5,832,044 A	11/1998	Sousa et al.	375/347
5,867,131 A	* 2/1999	Camp et al.	343/797

5,936,580 A	* 8/1999	Van Puijenbrock ..	343/700 MS
5,943,020 A	8/1999	Liebendoerfer et al.	343/702
5,990,838 A	11/1999	Burns et al.	343/702
5,991,864 A	* 11/1999	Kinney et al.	712/1
5,995,062 A	11/1999	Denney et al.	343/853
6,008,774 A	12/1999	Wu	343/828
6,031,503 A	2/2000	Preiss, II et al.	343/770
6,043,790 A	3/2000	Derneryd et al.	343/853
6,054,955 A	4/2000	Schlegeli et al.	
6,091,364 A	7/2000	Murakami et al.	343/700
6,104,349 A	8/2000	Cohen	
6,115,762 A	* 9/2000	Bell et al.	710/62
6,160,514 A	12/2000	Judd	343/700
6,198,460 B1	3/2001	Brankovic	343/879
6,222,503 B1	4/2001	Gietema et al.	343/890
6,181,284 B1	* 1/2002	Madsen et al.	343/702

OTHER PUBLICATIONS

U.S. patent application Ser. No. 09/693,465, Crawford, filed Oct. 19, 2000.

U.S. patent application Ser. No. 09/799,411, Crawford, filed Mar. 5, 2001.

* cited by examiner

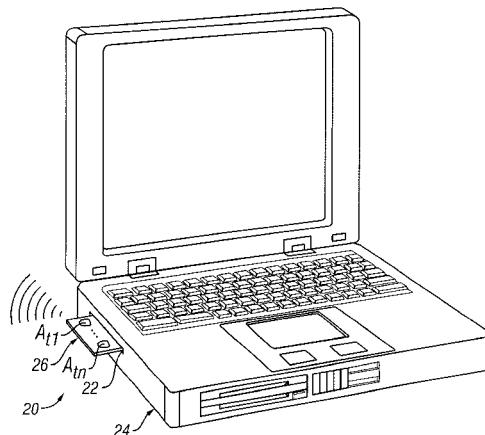
Primary Examiner—Tho G. Phan

(74) *Attorney, Agent, or Firm*—Fitch, Even, Tabin & Flannery

(57) **ABSTRACT**

A card-based diversity antenna structure includes a card and at least two antenna elements. The card has active circuitry attached thereto and connectors located at a first end thereof configured for engagement with an interface slot. The at least two antenna elements are attached to the card at a second end thereof and are coupled to the active circuitry. At least two antenna elements are sufficiently spaced apart so as to achieve spatial diversity. The polarizations of two of the at least two antenna elements may be orthogonal to each other so as to achieve polarization diversity. The antenna structure delivers good receive and transmit diversity performance and is well suited to the form factor limits imposed by the dimensions of small cards, such as PCMCIA cards. The configuration is very convenient for application in the 5 to 6 GHz frequency band.

56 Claims, 11 Drawing Sheets



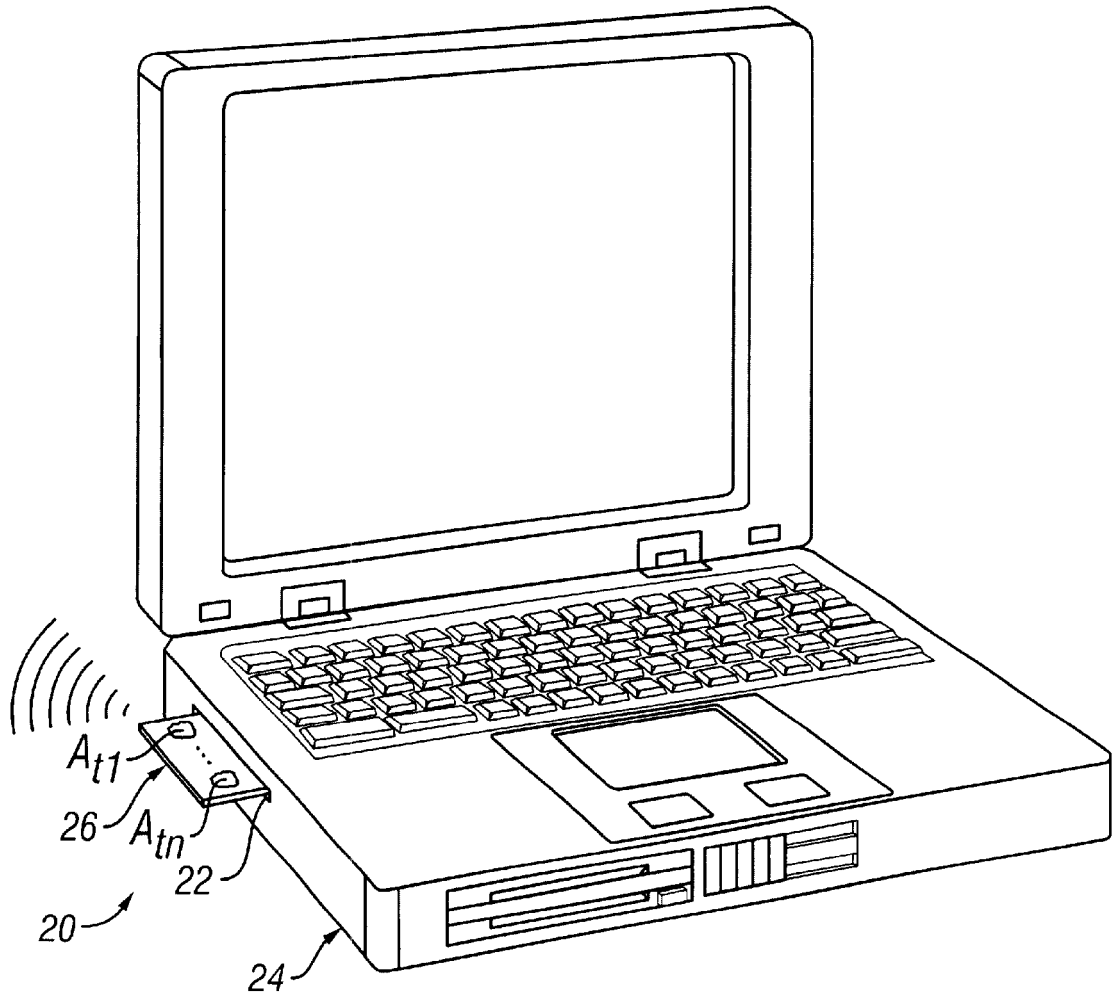


FIG. 1

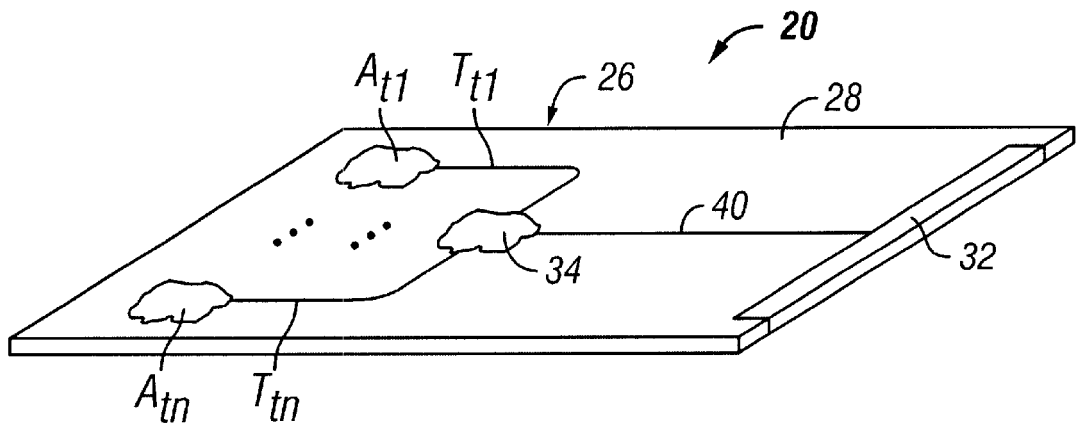


FIG. 2A

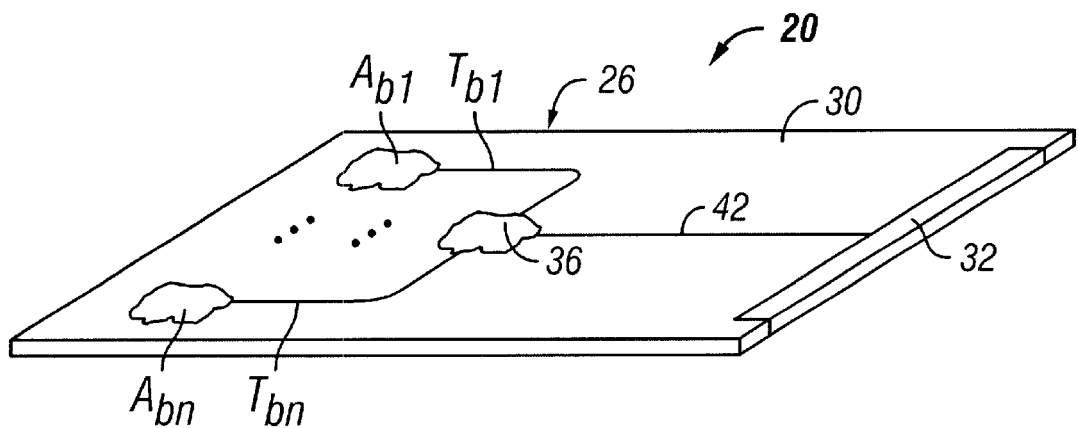


FIG. 2B

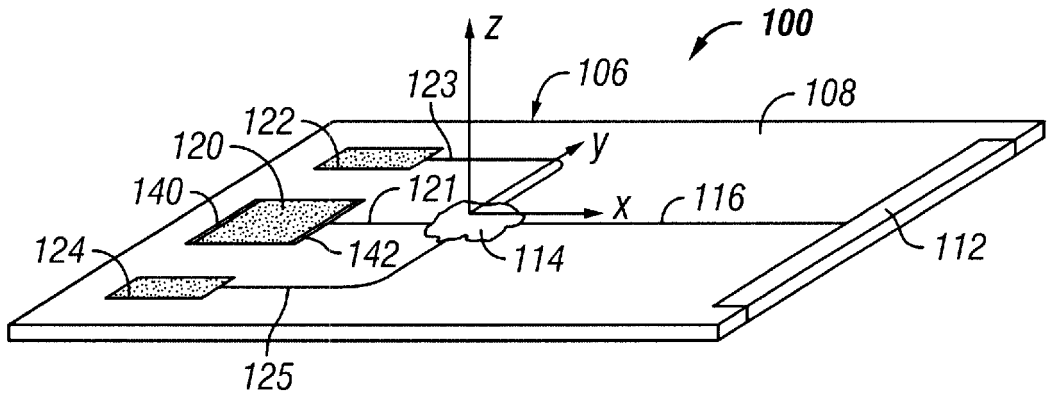


FIG. 3A

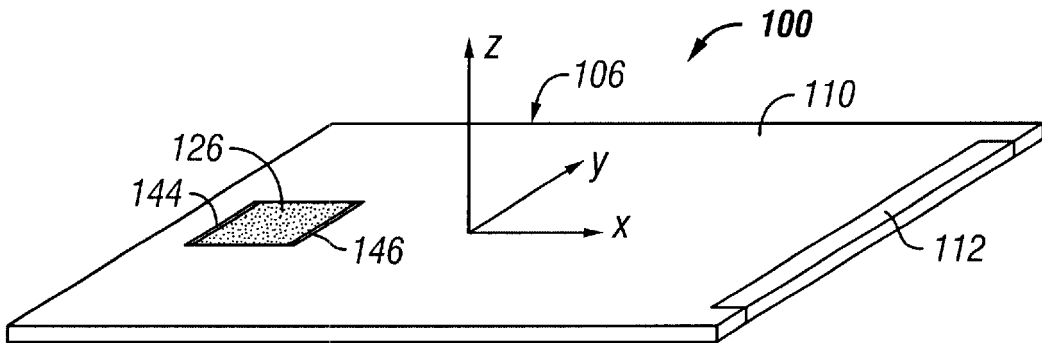


FIG. 3B

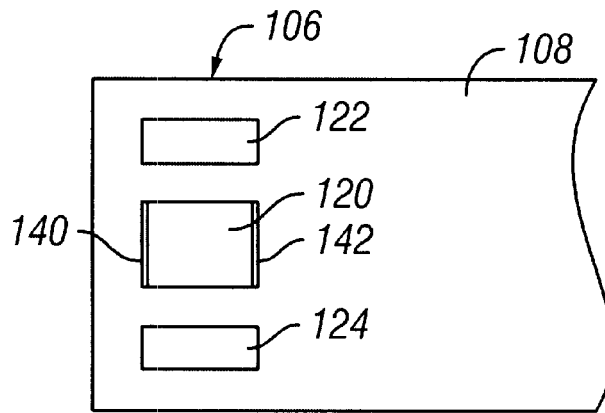


FIG. 4A

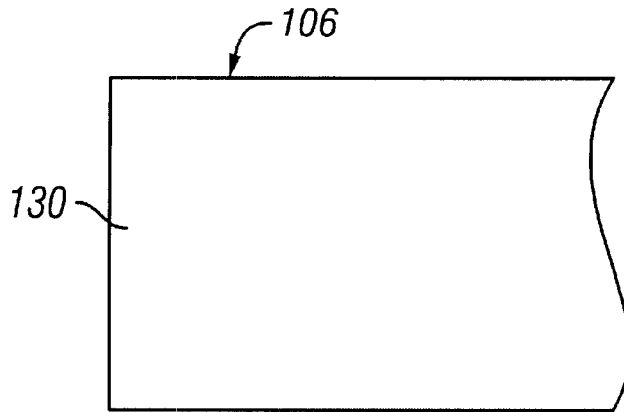


FIG. 4B

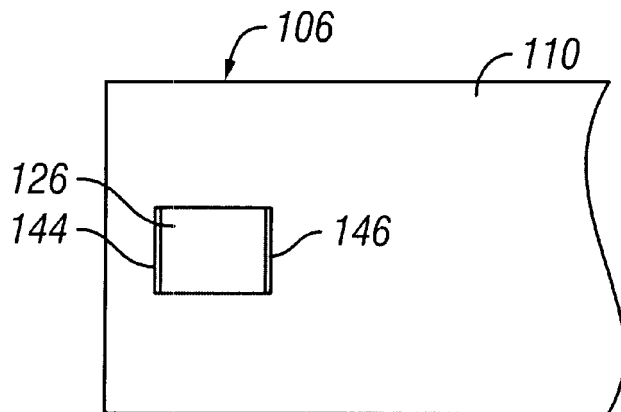


FIG. 4C

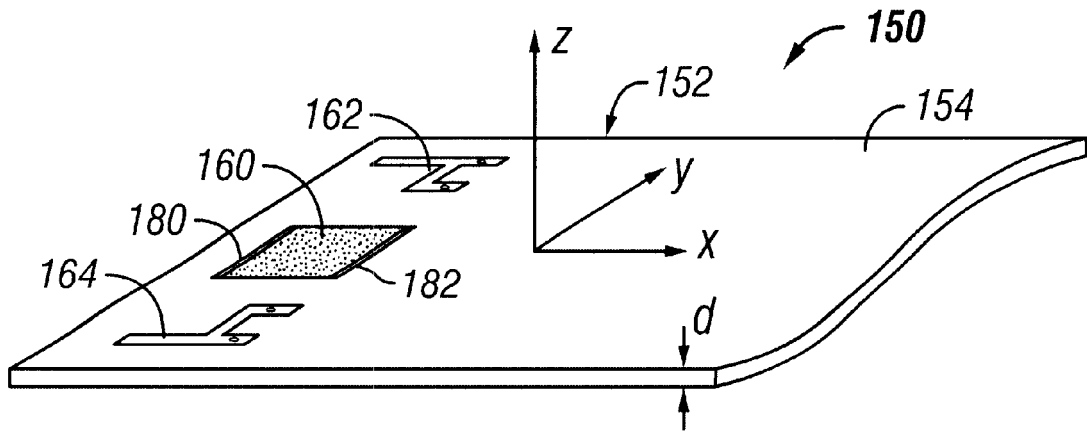


FIG. 5A

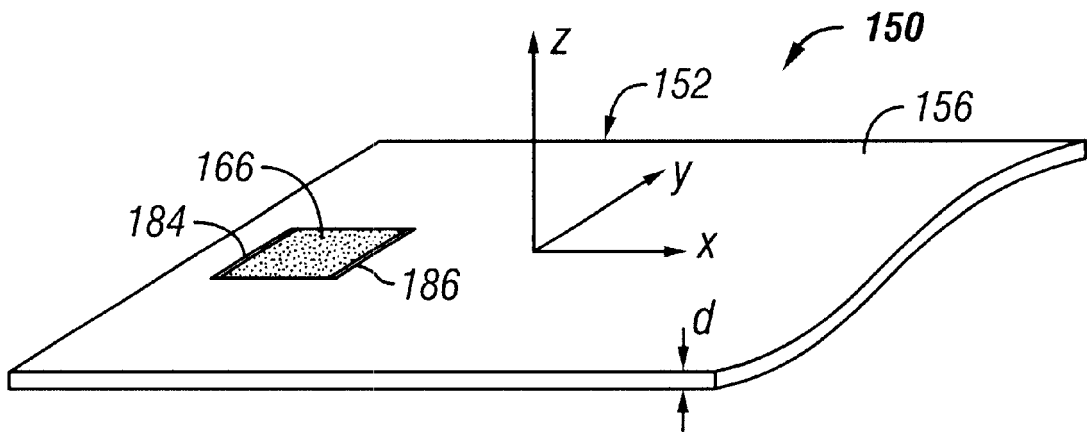


FIG. 5B

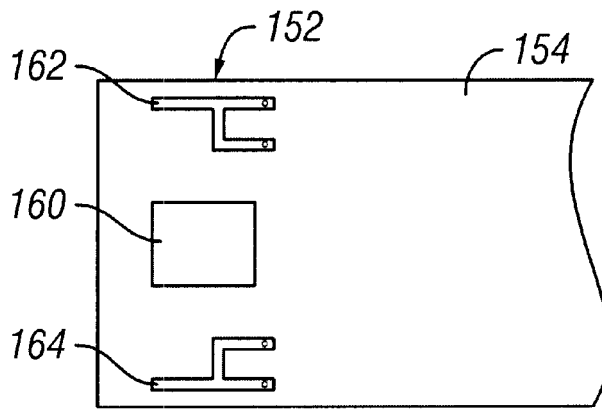


FIG. 6A

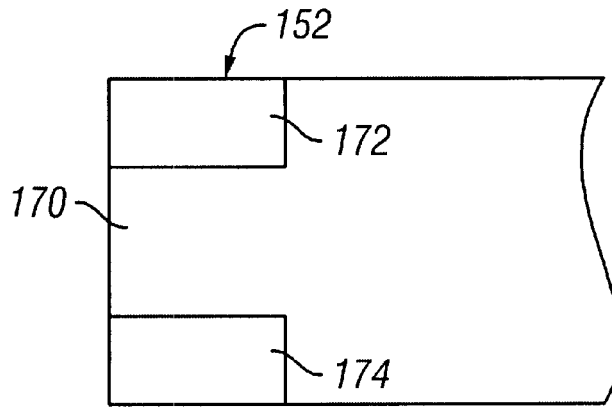


FIG. 6B

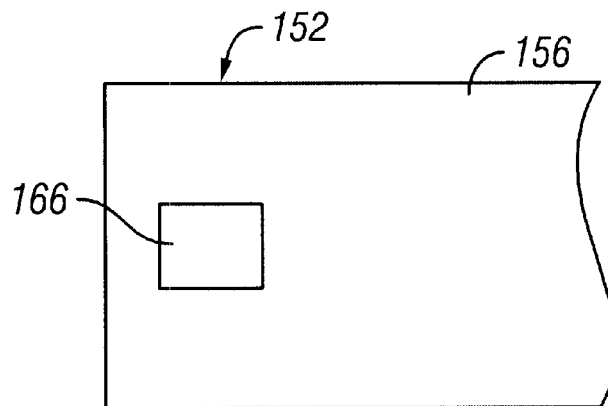


FIG. 6C

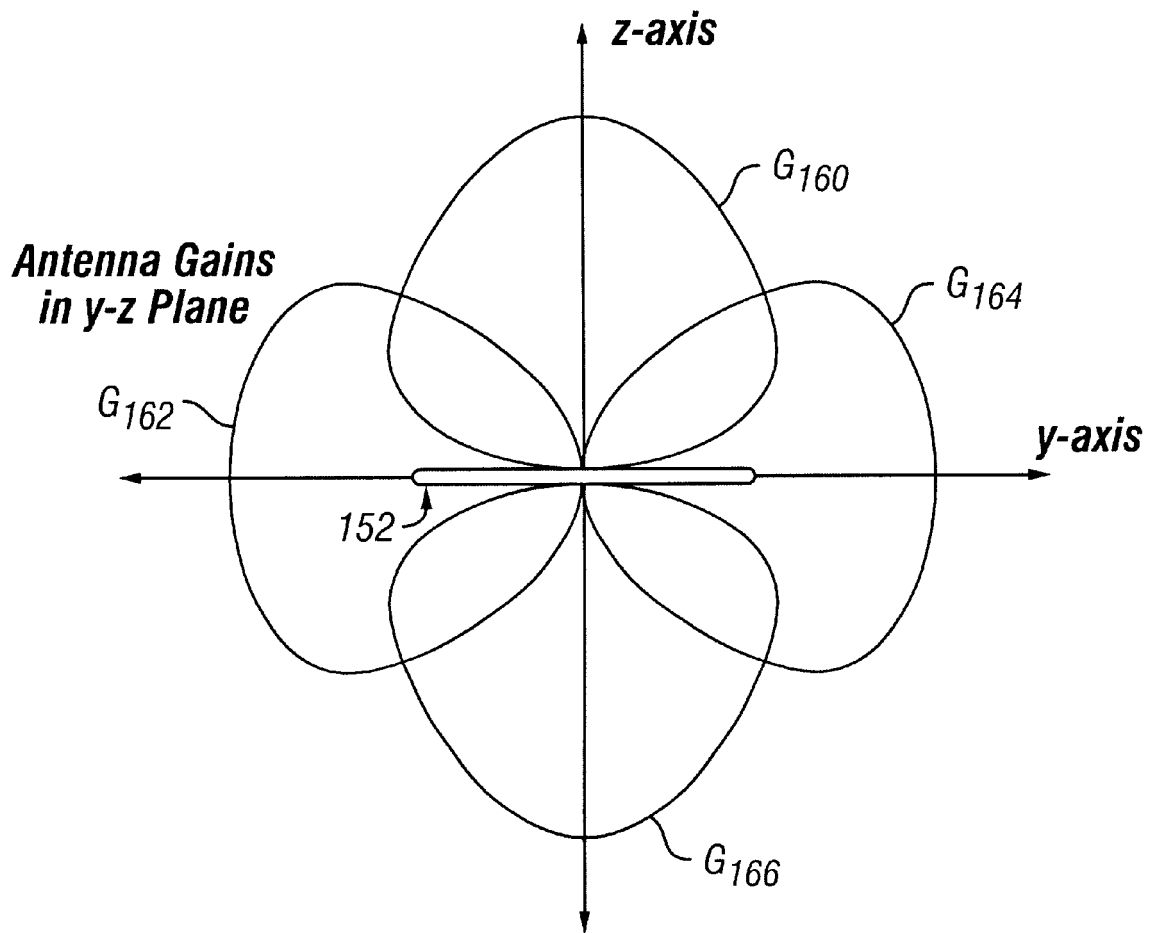


FIG. 7

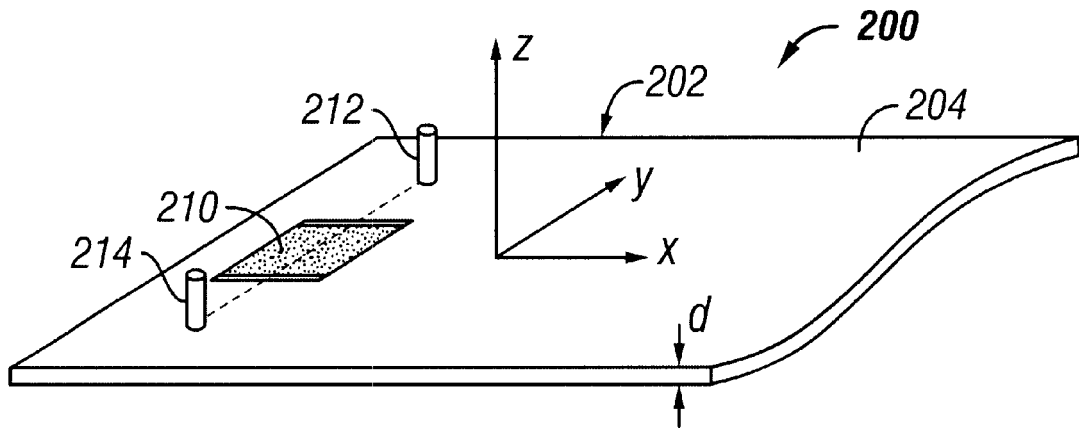


FIG. 8A

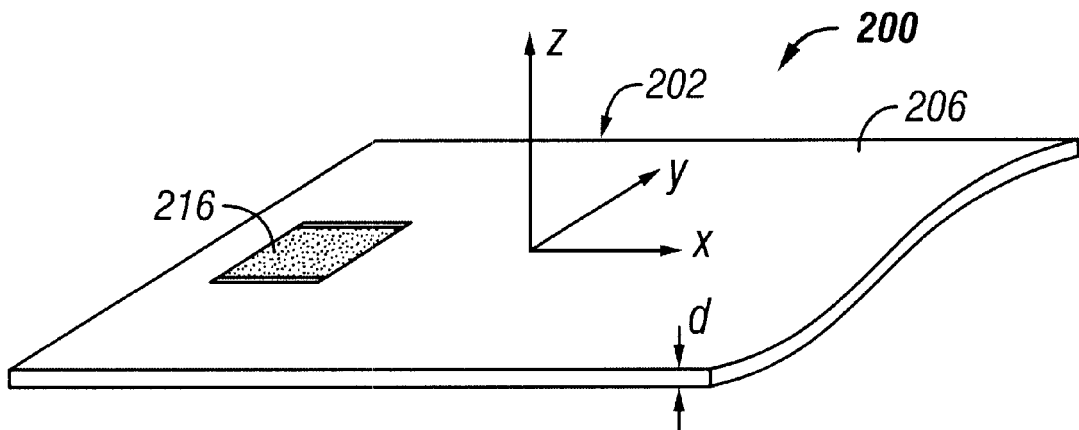


FIG. 8B

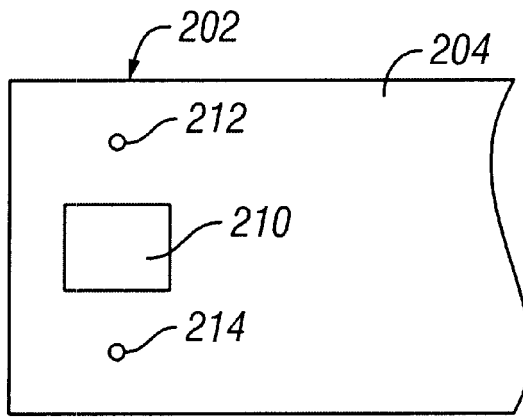


FIG. 9A

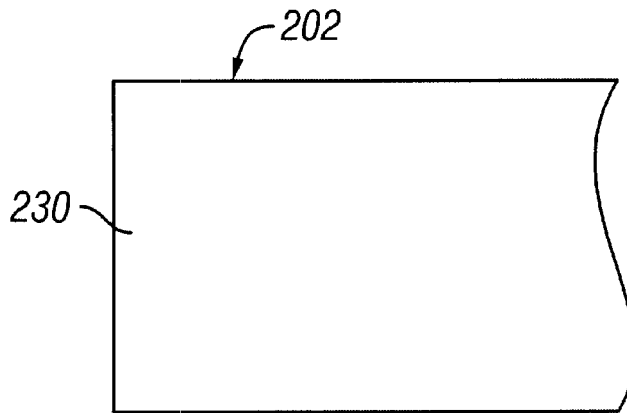


FIG. 9B

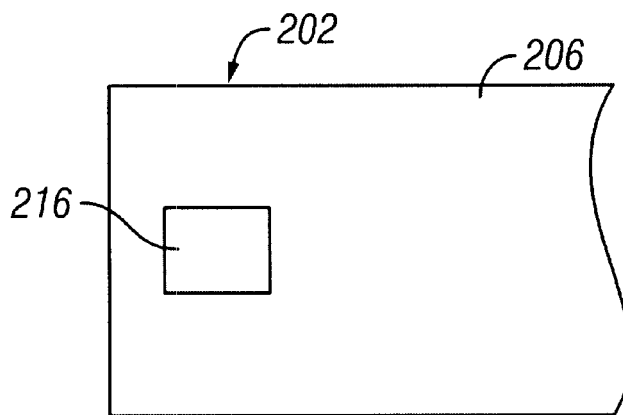


FIG. 9C

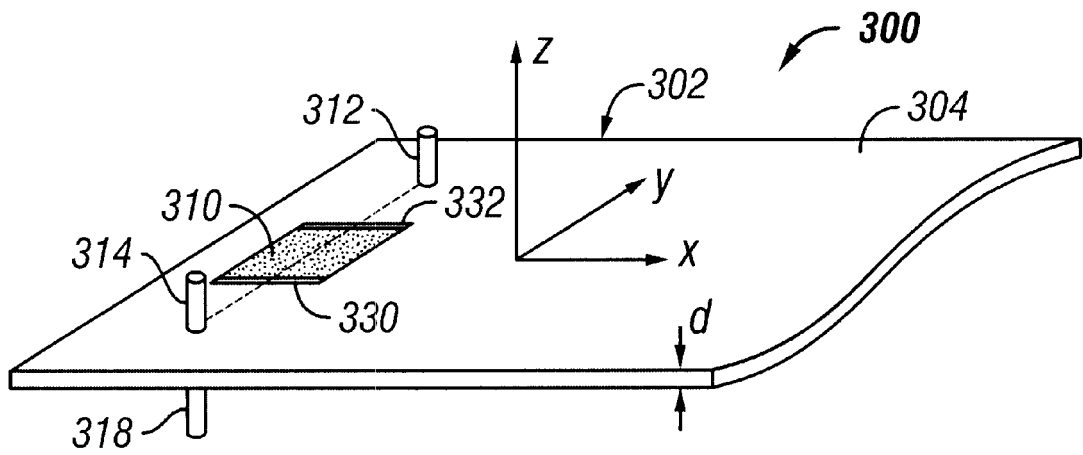


FIG. 10A

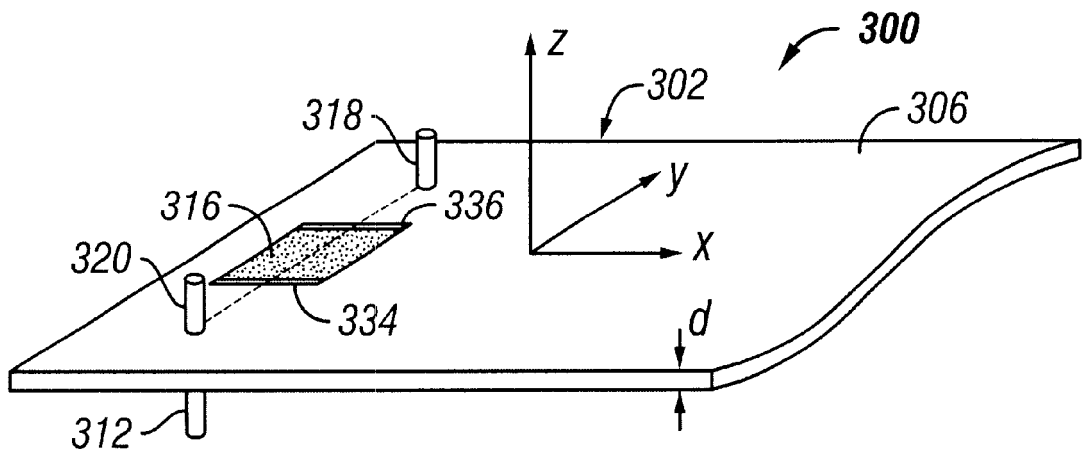


FIG. 10B

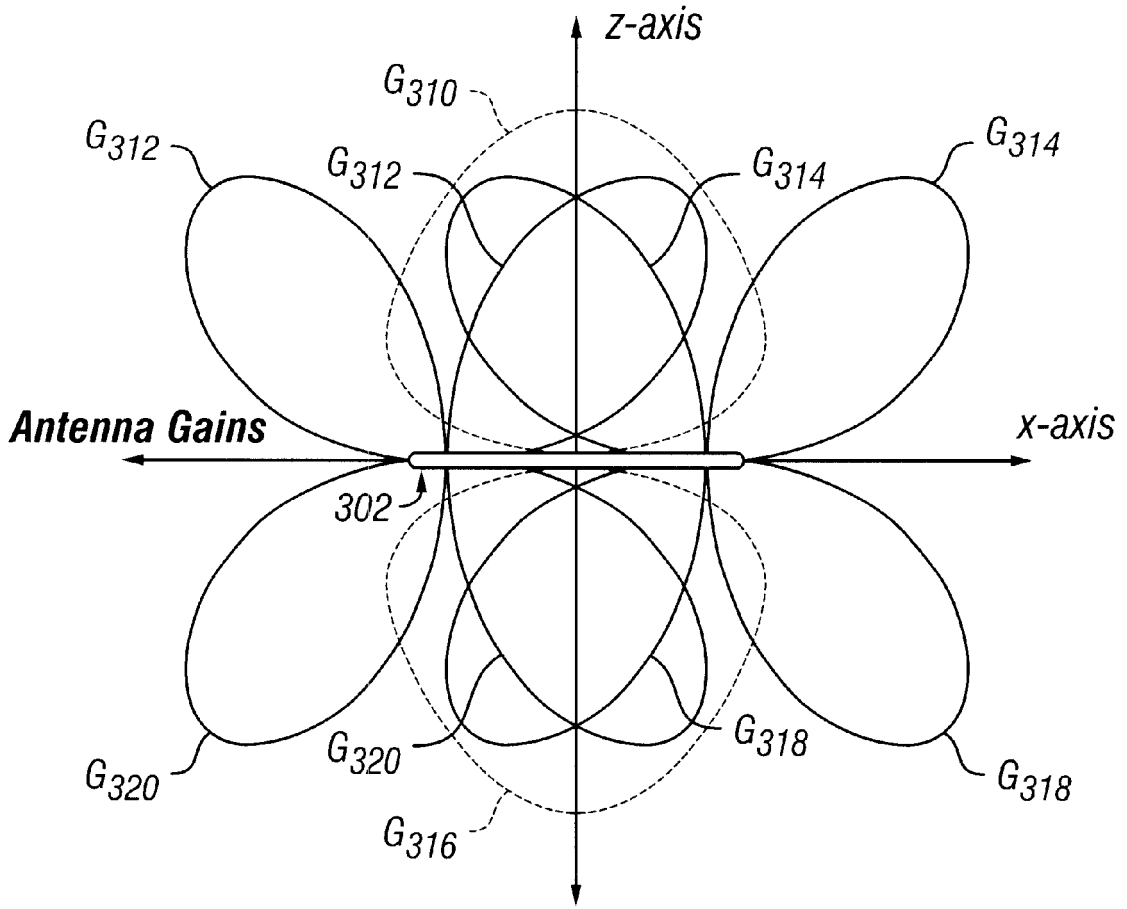


FIG. 11

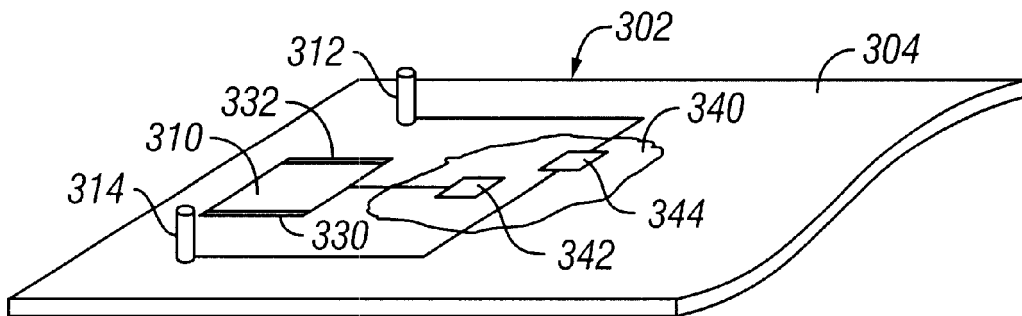


FIG. 12

CARD-BASED DIVERSITY ANTENNA STRUCTURE FOR WIRELESS COMMUNICATIONS

BACKGROUND OF THE INVENTION

1. Field of the Invention

The present invention relates generally to antennas, and more specifically to small antenna structures possessing diversity characteristics.

2. Discussion of the Related Art

A multipath environment is created when radio frequency (RF) signals propagate over more than one path from the transmitter to the receiver. Alternate paths with different propagation times are created when the RF signal reflects from objects that are displaced from the direct path. The direct and alternate path signals sum at the receiver antenna to cause constructive and destructive interference, which have peaks and nulls. When the receiver antenna is positioned in a null, received signal strength drops and the communication channel is degraded or lost. The reflected signals may experience a change in polarization relative to the direct path signal. This multipath environment is typical of indoor and in-office wireless local area networks (WLAN).

An approach to addressing the multipath problem is to employ multiple receiver antenna elements in order to selectively receive a signal from more than one direction or from a slightly different position. This approach, known as "diversity", is achieved when receiving signals at different points in space or receiving signals with different polarization. Performance is further enhanced by isolating the separate antennas. Wireless communication link bit error rate (BER) performance is improved in a multipath environment if receive and/or transmit diversity is used.

Conventional antenna structures that employ diversity techniques tend to be expensive and physically large structures that utilize bulky connectors, such as coaxial cable connectors. Such antenna structures are not suitable for residential and office use where low-cost and small physical size are highly desirable characteristics. Thus, there is a need for antenna structures capable of employing diversity techniques that overcomes these and other disadvantages.

SUMMARY OF THE INVENTION

The present invention advantageously addresses the needs above as well as other needs by providing an antenna structure that includes a card, at least two antenna elements, and active circuitry. The at least two antenna elements are attached to the card at a first end thereof. The active circuitry is attached to the card and coupled to the at least two antenna elements. At least two of the at least two antenna elements are sufficiently spaced apart so as to achieve spatial diversity.

In another embodiment, the invention can be characterized as an antenna structure that includes a card, at least two antenna elements, and active circuitry. The at least two antenna elements are attached to the card at a first end thereof. The active circuitry is attached to the card and coupled to the at least two antenna elements. A first of the at least two antenna elements comprises a polarization that is orthogonal to a polarization of a second of the at least two antenna elements so as to achieve polarization diversity.

In a further embodiment, the invention can be characterized as a method of receiving a signal in a multi-path environment. The method includes the steps of: placing a

card in the multi-path environment, the card having active circuitry attached thereto; receiving the signal with a first antenna element attached to the card at a first end thereof; and receiving the signal with a second antenna element attached to the card at the first end thereof; wherein the first and second antenna elements are coupled to the active circuitry.

In an additional embodiment, the invention can be characterized as a method of transmitting a signal in a multi-path environment. The method includes the steps of: placing a card in the multi-path environment, the card having active circuitry attached thereto; transmitting the signal with a first antenna element attached to the card at a first end thereof; and transmitting the signal with a second antenna element attached to the card at the first end thereof; wherein the first and second antenna elements are coupled to the active circuitry.

BRIEF DESCRIPTION OF THE DRAWINGS

The above and other aspects, features and advantages of the present invention will be more apparent from the following more particular description thereof, presented in conjunction with the following drawings wherein:

FIG. 1 is a perspective diagram illustrating a computer having inserted therein a multi-antenna element structure made in accordance with an embodiment of the present invention;

FIGS. 2A and 2B are perspective views illustrating the top and bottom surfaces, respectively, of the multi-antenna element structure shown in FIG. 1;

FIGS. 3A and 3B are perspective views illustrating the top and bottom surfaces, respectively, of a multi-antenna element structure made in accordance with another embodiment of the present invention;

FIGS. 4A, 4B and 4C are a top view, center layer view, and bottom view, respectively, of the multi-antenna element structure shown in FIGS. 3A and 3B;

FIGS. 5A and 5B are perspective views illustrating the top and bottom surfaces, respectively, of a multi-antenna element structure made in accordance with another embodiment of the present invention;

FIGS. 6A, 6B and 6C are a top view, center layer view, and bottom view, respectively, of the multi-antenna element structure shown in FIGS. 5A and 5B;

FIG. 7 is a plot illustrating antenna gain patterns for the multi-antenna element structure shown in FIGS. 5A and 5B;

FIGS. 8A and 8B are partial perspective views illustrating the top and bottom surfaces, respectively, of a multi-antenna element structure made in accordance with another embodiment of the present invention;

FIGS. 9A, 9B and 9C are a top view, center layer view, and bottom view, respectively, of the multi-antenna element structure shown in FIGS. 8A and 8B;

FIGS. 10A and 10B are partial perspective views illustrating the top and bottom surfaces, respectively, of a multi-antenna element structure made in accordance with another embodiment of the present invention;

FIG. 11 is a plot illustrating antenna gain patterns for the multi-antenna element structure shown in FIGS. 10A and 10B; and

FIG. 12 is a partial perspective view illustrating in further detail the top surface of the multi-antenna element structure shown in FIG. 10A.

Corresponding reference characters indicate corresponding components throughout the several views of the drawings.

DETAILED DESCRIPTION OF THE INVENTION

The following description is not to be taken in a limiting sense, but is made merely for the purpose of describing the general principles of the invention. The scope of the invention should be determined with reference to the claims.

Referring to FIG. 1, there is illustrated a multi-antenna element structure **20** made in accordance with an embodiment of the present invention. The multi-antenna element structure **20** is ideal for use as a diversity antenna and overcomes the disadvantages described above. It provides receive and/or transmit diversity in a multipath environment so that wireless communication link bit error rate (BER) performance is improved. The multi-antenna element structure **20** is extremely well suited to small form-factor applications that are to be used at high frequencies, including the 5 to 6 gigahertz (GHz) frequency band. Moreover, the multi-antenna element structure **20** is particularly suited for use in wireless local area networks (WLAN).

The multi-antenna element structure **20** may be conveniently inserted into an interface slot **22** of a computer **24**. Although a notebook computer is illustrated, it should be well understood that the computer **24** may comprise any type of computer, such as for example, a desktop computer, laptop computer, palmtop computer, hand-held computer, etc. Furthermore, the multi-antenna element structure **20** may also be inserted into interface slots associated with a plethora of other types of devices that may need to communicate wirelessly, such as for example, set-top boxes (including cable and XDSL), information appliances, printers, fax machines, scanners, storages devices, televisions, stereos, etc. The multi-antenna element structure **20** can be used for performing wireless communications to and from any of these devices.

In the illustrated embodiment, the interface slot **22** comprises a Personal Computer Memory Card International Association (PCMCIA) compliant slot, and the multi-antenna element structure **20** is constructed on a PCMCIA card **26**. A PCMCIA card is a well-known, approximately credit card-size adapter which is inserted into a PCMCIA slot. PCMCIA cards are usable for many different types of I/O devices and are widely used, for example, with notebook computers. Although embodiments of the invention described herein are implemented on PCMCIA cards, it should be well understood that the antenna structures described herein may alternatively be implemented on many other types of cards, such as for example, interface cards, adapter cards, circuit boards, printed circuit boards, smart cards, etc., in accordance with the present invention. Furthermore, the interface slot **22** may comprise many different types of interface slots in accordance with the present invention. By way of example, the interface slot **22** may comprise a Peripheral Component Interconnect (PCI) compliant slot, Industry Standard Architecture (ISA) compliant slot, etc.

FIG. 2A illustrates the top surface **28** of the multi-antenna element structure **20**, and FIG. 2B illustrates its bottom surface **30**. One or more connectors **32** are typically located at one end of the card **26**. The connectors **32** normally comprise a configuration or type that is appropriate for the particular interface being used, e.g., PCMCIA, PCI, ISA, etc.

Two or more antenna elements are preferably located at the other end of the card **26**, i.e., the end opposite the connectors **32**. The two or more antenna elements may be comprised of antenna elements A_{t1} through A_m located on

the top surface **28** of the card **26** and/or antenna elements A_{b1} through A_{bn} located on the bottom surface **30** of the card **26**. Thus, the two or more antenna elements may be comprised of antenna elements located on the top surface **28**, antenna elements located on the bottom surface **30**, or antenna element(s) located on the top surface **28** and antenna element(s) located on the bottom surface **30**.

The cloud-like shape of the antenna elements A_{t1} through A_m and A_{b1} through A_{bn} shown in the drawings is intended to indicate that many different types of antennas may be used for implementing the antenna elements A_{t1} through A_m and A_{b1} through A_{bn} . Several exemplary types of antennas will be discussed in the examples below. Furthermore, it will be demonstrated that different types of antennas may even be used among the antenna elements A_{t1} through A_m and A_{b1} through A_{bn} .

Active circuitry, such as radio frequency (RF) circuitry, may also be conveniently located on the card **26**. For example, active circuitry **34** may be located on the top surface **28** and/or active circuitry **36** may be located on the bottom surface **30**. The active circuitry **34** and/or **36** may comprise power amplifiers for driving the antenna elements, low noise amplifiers (LNAs) for amplifying the received signals, RF switches for selecting signals routed to and from transmit and receive antenna elements, and/or digital base-band processing application specific integrated circuits (ASICs). The active circuitry **34** and/or **36** may also comprise additional circuitry that processes the transmitted and received signals, for example frequency translation from/to an intermediate frequency (IF) to/from the final radio frequency (RF) frequency.

Locating the active circuitry **34** and/or **36** on the card **26** has the advantage of allowing the active circuitry **34** and/or **36** to interface directly with the antenna elements, which simplifies signal routing and eliminates the need for coaxial antenna connections. Such location places the active circuitry **34** and/or **36** intimately close to the antenna elements, which minimizes signal losses. By way of example, traces T_{t1} through T_m may be used to directly interface the antenna elements A_{t1} through A_m , respectively, with the active circuitry **34**. Similarly, traces T_{b1} through T_{bn} may be used to directly interface the antenna elements A_{b1} through A_{bn} , respectively, with the active circuitry **36**. Although traces T_{t1} through T_m and T_{b1} through T_{bn} are illustrated as being located on the top surface **28** and bottom surface **30**, respectively, it should be well understood that one or more of such traces may alternatively be located on one or more interior layers of the card **26**. Examples of separate, interior layers of a card will be discussed below.

Because the active circuitry **34** and/or **36** is intimately close to the antenna elements, traces T_{t1} through T_m and T_{b1} through T_{bn} can be very short, which means that the antenna elements are connected almost immediately to the inputs of the active circuitry **34** and/or **36**. No coaxial antenna connections are necessary with this scheme. Short trace lengths are highly advantageous when operating at very high frequencies, such as 5GHz, due to the losses that can occur with long traces. Preferably, trace lengths of less than or equal to 0.5 to 1.0 inches are used.

The active circuitry **34** may be optionally coupled to the connectors **32** by means of one or more traces **40**. Similarly, the active circuitry **36** may be optionally coupled to the connectors **32** by means of one or more traces **42**. This way, information or data can be transferred to and from the active circuitry **34** and/or **36** by the device in which the card **26** is inserted, such as the computer **24**. For example, data can be

transferred to and from the active circuitry **34**, over the one or more traces **40**, through the connectors **32**, through corresponding connectors in the interface slot **22**, and onto or off of one or more busses in the computer **24**. It should be well understood that one or more of the traces **40**, **42** may alternatively be located on one or more interior layers of the card **26**.

The multi-antenna element structure **20** is capable of achieving diversity. Specifically, spatial diversity can be achieved by spacing individual antenna elements apart so as to obtain sufficient decorrelation. Sufficient spacing of the individual antenna elements is important for obtaining minimum uncorrelated fading of antenna outputs. Preferably, at least some of the antenna elements A_{r1} through A_m and A_{b1} through A_{bn} are spaced apart by a distance greater than or equal to 0.5λ for a frequency of operation falling within the 5 to 6 GHz frequency band. Because λ is so small for the 5 to 6 GHz frequency band, such spacing of antenna elements can be accomplished on the small card **26**, which for example may comprise a PCMCIA card.

Polarization diversity can be achieved in the multi-antenna element structure **20** when the polarizations of two of the antenna elements are orthogonal to each other. As will be discussed below, polarization diversity may be achieved in the present invention by using a combination of vertically and horizontally polarized antenna elements, or by positioning an active edge of one antenna element to be orthogonal to an active edge of another antenna element.

The multi-antenna element structures of the present invention are capable of achieving a high amount of diversity per unit volume by using simple antenna structures that can be hosted in a small form factor, such as a PCMCIA card form factor. Some embodiments of the present invention use a combination of spatial and polarization diversity to achieve a high number of reasonably uncorrelated antenna elements in the small form factor. It should be well understood, however, that some embodiments of the present invention may rely solely on spatial diversity and that some embodiments of the present invention may rely solely on polarization diversity.

When receiving a signal in a multi-path environment, the signal offered to the receiver contains not only a direct line-of-sight radio wave, but also a large number of reflected radio waves, which interfere with the direct wave to create a "composite signal." Two or more of the antenna elements A_{r1} through A_m and A_{b1} through A_{bn} each receive this "composite signal." Each of these "composite signals" comprises a sum of the direct and alternate path signals, as well as signals that experience a change in polarization, which constructively and destructively interfere and create peaks and nulls. By relying on spatial diversity, polarization diversity, or a combination of both spatial and polarization diversity, the multi-antenna element structure **20** can compensate for fading because several replicas of the same information carrying signal are received over multiple channels by different antenna elements. There is a good likelihood that at least one or more of these received signals will not be in a fade at any given instant in time, thus making it possible to deliver adequate signal level to the receiver.

Because two or more of the antenna elements A_{r1} through A_m and A_{b1} through A_{bn} are largely uncorrelated, more than one power amplifier stage in the transmitter can be used thereby reducing the maximum power level required out of any individual power amplifier stage. This is highly advantageous for Orthogonal Frequency Division Multiplexing (OFDM) where the peak-to-average power ratio is a con-

cern. Specifically, the FCC limits the total transmit power allowed, so this peak can be shared if there is more than one power amplifier stage involved.

FIGS. **3A** and **3B** illustrate a multi-antenna element structure **100** made in accordance with another embodiment of the present invention. FIG. **3A** illustrates the top surface **108** of the multi-antenna element structure **100**, and FIG. **3B** illustrates its bottom surface **110**. The multi-antenna element structure **100** includes a card **106**, such as for example a PCMCIA card. One or more connectors **112** are typically located at one end of the card **106**. The connectors **112** normally comprise a configuration or type that is appropriate for the particular interface being used, e.g., PCMCIA, PCI, ISA, etc. Active circuitry **114**, similar to the active circuitry **34** and/or **36** described above, may be conveniently located on one or more of the surfaces or interior layers of the card **106**. The active circuitry **114** may be optionally coupled to the connectors **112** by means of one or more traces **116**, which may be located on one or more of the surfaces or interior layers of the card **106**.

In this embodiment, four separate antenna elements **120**, **122**, **124**, **126** are attached to the card **106**, preferably at the end of the card **106** opposite the connectors **112**. Three of the antenna elements **120**, **122**, **124** are attached to the top surface **108**, and one antenna element **126** is attached to the bottom surface **110**. While this embodiment includes four antenna elements, the present invention is not limited to the use of four antenna elements and is intended to include the use of two or more antenna elements. Indeed, an embodiment having six antenna elements is discussed below.

Traces may be used to directly interface the antenna elements **120**, **122**, **124**, **126** with the active circuitry **114**. For example, the three antenna elements **120**, **122**, **124** may be directly interfaced with the active circuitry **114** by means of the traces **121**, **123**, **125**, respectively, located on the top surface **108** of the card **106**. It should be well understood, however, that one or more of such traces may alternatively be located on one or more interior layers of the card **106**. For example, a trace used to directly interface the antenna element **126** with the active circuitry **114** may be located on an interior layer, and therefore is not seen in FIGS. **3A** and **3B**.

Traditional patch antennas or printed microstrip antenna elements are a very cost-effective way to realize one or more of the individual antenna elements **120**, **122**, **124**, **126**. Many different types of patch antennas may be used, including $\frac{1}{4}$ -wave, $\frac{1}{2}$ -wave and $\frac{3}{4}$ -wave patch antennas. In this embodiment, all four of the antenna elements **120**, **122**, **124**, **126** are implemented with patch antennas. Preferably, the center antenna elements **120**, **126** comprise $\frac{1}{4}$ -wave or $\frac{1}{2}$ -wave patch antennas, and the side antenna elements **122**, **124** comprise $\frac{1}{4}$ -wave or $\frac{1}{2}$ -wave patch antennas. The patch antenna **120** includes active (radiating) edges **140**, **142**, and the patch antenna **126** includes active edges **144**, **146**. It should be well understood, however, that other types and configurations of patch antennas may be used in accordance with the present invention.

FIGS. **4A**, **4B** and **4C** illustrate an exemplary manner in which the antenna elements **120**, **122**, **124**, **126** can be implemented on the card **106** with patch antennas. In general, patch antenna elements can be fabricated according to a microstrip technique, where etched copper patterns lie above a ground plane. FIG. **4A** illustrates the top surface **108** of the card **106**, and FIG. **4C** illustrates the bottom surface **110** of the card **106**. FIG. **4B** illustrates the center layer of the card **106** where a ground plane **130** is located. The

ground plane **130** is positioned beneath each of the patch antenna elements **120**, **122**, **124**, **126**, which may each comprise an etched copper pattern. The ground plane **130** preferably extends to the edge of the card **106**. Traces can be included in the center layer for connecting the antenna elements **120**, **122**, **124**, **126** to the connectors **112** or other circuitry.

The detailed design process for an individual patch antenna is well known. Each of the antenna elements **120**, **122**, **124**, **126** is preferably individually designed to have good gain and Voltage Standing Wave Ratio (VSWR). This is standard procedure in antenna design. In addition, the individual antenna element designs are preferably optimized to preserve good gain and VSWR while also delivering good inter-element isolation. In other words, the antenna elements are preferably designed to exhibit acceptably low cross-correlation (i.e., isolation). Good isolation is important for achieving good diversity gain. Thus, each of the antenna elements **120**, **122**, **124**, **126** preferably provides gain while also having good isolation between itself and other antenna elements.

The separate antenna elements **120**, **122**, **124**, **126** offer spatial and/or polarization diversity, which delivers good receive and transmit diversity performance. The multi-antenna element structure **100** is small and cost-effective. This is at least partly due to it physically residing on a portion of a small card, such as for example, a standard PCMCIA card. The multiple planar antenna element configuration is well suited to the form factor limits imposed by the PCMCIA card dimensions. Furthermore, printed copper (microstrip) techniques may be used to implement the actual antenna elements. This kind of construction is extremely low-cost and low-profile. Thus, the present invention provides for the inclusion of multiple antenna elements on a PCMCIA card form-factor that deliver good diversity performance at low cost. This configuration is very convenient for application in the 5 to 6 GHz frequency band where low-cost and antenna diversity is desired.

It should be well understood that all four of the antenna elements **120**, **122**, **124**, **126** are not required to be implemented with patch antennas. For example, FIGS. **5A** and **5B** illustrate a multi-antenna element structure **150** made in accordance with another embodiment of the present invention. The multi-antenna element structure **150** includes a card **152**, such as for example a PCMCIA card. FIG. **5A** illustrates the top surface **154** of the card **152**, and FIG. **5B** illustrates the bottom surface **156**. Connectors for the card **152**, which would be similar to the connectors **112** described above, are not shown. Furthermore, active circuitry, similar to the active circuitry **34** and/or **36** described above, which may be located on one or more of the surfaces or interior layers of the card **152**, is also not shown.

Similar to the card **106** described above, the top surface **154** of the card **152** includes three antenna elements **160**, **162**, **164**, and the bottom surface **156** includes one antenna element **166**. The center antenna elements **160**, **166** preferably comprise $\frac{1}{4}$ -wave or $\frac{1}{2}$ -wave patch antennas. Unlike the card **106**, however, the side antenna elements **162**, **164** preferably comprise $\frac{1}{4}$ -wave or $\frac{1}{2}$ -wave horizontally polarized printed monopole antennas. The inclusion of the two horizontally polarized monopole antennas **162**, **164** illustrates that other types and configurations of antennas may be used in accordance with the present invention.

FIGS. **6A**, **6B** and **6C** illustrate an exemplary manner in which both the patch antenna elements **160**, **166** and the monopole antenna elements **162**, **164** can be implemented

on the card **152**. FIG. **6A** illustrates the top surface **154** of the card **152**, and FIG. **6C** illustrates the bottom surface **156**. FIG. **6B** illustrates the center layer of the card **152** where a ground plane **170** is located. The ground plane **170** comprises a shape such that it is positioned beneath each of the center patch antenna elements **160**, **166** (which may each comprise an etched copper pattern). The ground plane **170**, however, is cut away in the regions **172**, **174** beneath the locations of the monopole antennas **162**, **164**, respectively. Except for in the cut away regions **172**, **174**, the ground plane **170** preferably extends to the edge of the card **152**. Traces can be included in the center layer for connecting the antenna elements **160**, **162**, **164**, **166** to the connectors or other circuitry (not shown) on the card **152**.

The separate antenna elements **160**, **162**, **164**, **166** offer spatial and/or polarization diversity, which delivers good receive and transmit diversity performance. FIG. **7** illustrates the antenna gain patterns G_{160} , G_{162} , G_{164} , G_{166} that result for the four antenna elements **160**, **162**, **164**, **166**, respectfully. Ideally, the antenna gain patterns G_{160} , G_{162} , G_{164} , G_{166} cross each other at approximately the -3 dB gain points (relative to the main lobe). When viewed in the y - z plane, a full 360 degrees of coverage is achieved.

Referring again to FIGS. **5A** and **5B**, the active (radiating) edges **180**, **182** of the patch antenna **160**, as well as the edges **184**, **186** of the patch antenna **166**, are purposely chosen to be orthogonal to the polarization present on the edge of the monopole antenna elements **162**, **164**. This orthogonality helps to achieve polarization diversity. Furthermore, this orthogonality permits separate transmitter power amplifier stages to drive one x -axis antenna element and one y -axis antenna element with low interaction. Since the transmitted power can then be shared between two antenna elements, the peak-power requirements for each power amplifier is reduced by 3 dB. If the power is additionally shared with the patch antenna element **166** on the bottom side **156** of the card **152**, the total relaxation per power amplifier stage is $10 \log_{10}(3) = 5$ dB.

FIGS. **8A** and **8B** illustrate a multi-antenna element structure **200** made in accordance with another embodiment of the present invention. The multi-antenna element structure **200** includes a card **202**, such as for example a PCMCIA card. FIG. **8A** illustrates the top surface **204** of the card **202**, and FIG. **8B** illustrates the bottom surface **206**. Active circuitry and connectors, which may be included on the card **202**, are not shown.

Similar to the card **152** described above, the top surface **204** of the card **202** includes three antenna elements **210**, **212**, **214**, and the bottom surface **206** includes one antenna element **216**. The center antenna elements **210**, **216** preferably comprise $\frac{1}{4}$ -wave or $\frac{1}{2}$ -wave patch antennas. Unlike the card **152**, however, the side antenna elements **212**, **214** preferably comprise $\frac{1}{4}$ -wave vertically polarized monopole antennas. The inclusion of the two side vertically polarized monopole antennas **212**, **214** illustrates that other types and configurations of antennas may be used in accordance with the present invention. The vertically polarized monopole antennas **212**, **214** provide $\lambda/4$ sections out-of-plane for different polarization. By way of example, the vertically polarized monopole antennas **212**, **214** may comprise small circuit-board type antennas, ceramic elements, wire elements, etc.

FIGS. **9A**, **9B** and **9C** illustrate an exemplary manner in which both the patch antenna elements **210**, **216** and the monopole antenna elements **212**, **214** can be implemented on the card **202**. FIG. **9A** illustrates the top surface **204** of the

card 202, and FIG. 9C illustrates the bottom surface 206. FIG. 9B illustrates the center layer of the card 202 where a ground plane 230 is located. The ground plane 230 comprises a shape such that it is positioned beneath each of the center patch antenna elements 210, 216 (which may each comprise an etched copper pattern), as well as the monopole antenna elements 212, 214. Because there are no monopole antenna elements located on the bottom surface 206, the monopole antenna elements 212, 214 on the top surface 204 use the ground plane 230 underneath them to “work against.” The ground plane 230 preferably extends to the edge of the card 202. Traces can be included in the center layer for connecting the antenna elements 210, 212, 214, 216 to the connectors or other circuitry (not shown) on the card 202.

The above discussion presented various antenna means for realizing four-element diversity. The present invention, however, is not limited to the use of four antenna elements. Indeed, fewer or more than four antenna elements may be used in accordance with the present invention. Performance is increased markedly as the number of diversity antenna elements is increased from two to approximately eight. The following discussion presents a means to deliver six-element diversity.

FIGS. 10A and 10B illustrate a multi-antenna element structure 300 made in accordance with another embodiment of the present invention. The multi-antenna element structure 300 includes a card 302, such as for example a PCMCIA card (but as discussed above, many different types of cards may be used). FIG. 10A illustrates the top surface 304 of the card 302, and FIG. 10B illustrates the bottom surface 306. Active circuitry and connectors, which may be included on the card 302, are not shown.

The multi-antenna element structure 300 includes six antenna elements 310, 312, 314, 316, 318, 320. The top surface 304 of the card 302 includes three antenna elements 310, 312, 314, and the bottom surface 306 includes three antenna elements 316, 318, 320. In this embodiment, the center antenna elements 310, 316 may comprise $\frac{1}{4}$ -wave or $\frac{1}{2}$ -wave patch antennas, and the side antenna elements 312, 314, 318, 320 may comprise $\frac{1}{4}$ -wave vertically polarized monopole antennas. It should be well understood, however, that various configurations and combinations of different types of antennas may be used in accordance with the present invention.

Similar to the multi-antenna element structures 100, 150, 200 described above, the detailed design process for individual patch and monopole antennas is well known. Each of the antenna elements 310, 312, 314, 316, 318, 320 is preferably individually designed to have good gain and VSWR. This is standard procedure in antenna design. In addition, the individual antenna elements 310, 312, 314, 316, 318, 320 are preferably optimized to preserve good gain and VSWR while also delivering good inter-element isolation. Good isolation is important for achieving good diversity gain. Thus, each of the antenna elements 310, 312, 314, 316, 318, 320 preferably provides gain while also having good isolation between itself and other antenna elements.

In this embodiment, different polarizations between the antenna elements 310, 312, 314, 316, 318, 320 can be used to realize low cross-correlation (i.e., isolation) between them. For example, the illustrated side monopole antenna elements 312, 314, 318, 320 are vertically polarized, which yields low cross-correlation with the center patch antenna elements 310, 316. Because the side monopole antenna

elements 312, 314 (and 318, 320) are capable of being horizontally spaced at approximately $\lambda/2$ or more, they result in additional diversity gain for the system.

The separate antenna elements 310, 312, 314, 316, 318, 320 offer spatial and/or polarization diversity, which delivers good receive and transmit diversity performance. FIG. 11 illustrates the individual antenna gain patterns G_{310} , G_{312} , G_{314} , G_{316} , G_{318} , G_{320} in the y-z plane that result for the six antenna elements 310, 312, 314, 316, 318, 320, respectfully. When viewed in the y-z, x-z, or x-y planes, a full 360 degrees of coverage is achieved.

The vertical antenna elements 312, 314, 318, 320 (FIGS. 10A and 10B) may comprise standard $\lambda/4$ monopole antennas, or they can be implemented using a variety of modern materials (e.g., ceramics). By way of example, the vertically polarized antenna elements 312, 314, 318, 320 may comprise small circuit-board type antennas, ceramic elements, wire elements, etc. Whatever type of antenna or material that is used, a preferred feature for each of the antenna elements 312, 314, 318, 320 is E-field polarization out-of-the-plane (i.e., along the z-axis).

Two configuration options are possible for the vertical antenna elements 312, 314, 318, 320. In one option, the two vertical elements 312, 320 (and 314, 318) that are directly above and below each other may be used to form a traditional dipole antenna. In this scenario, the total number of diversity antenna elements realized is only four. If, however, each of the vertical antenna elements 312, 314, 318, 320 is situated above a ground plane (similar to the ground plane 130 of FIG. 4B), then a total of six different antenna branches can be realized.

In the six-element configuration where the vertical antenna elements 312, 314, 318, 320 are all (electrically speaking) $\lambda/4$ vertical elements, good diversity gain is best achieved when the vertical antenna elements 312, 314, 318, 320 are separated in the z-dimension by at least $\lambda/4$. In order to achieve this separation, the thickness d of the card 302 is preferably defined by the following equation:

$$d \geq \frac{\lambda}{4\sqrt{\epsilon_r}}$$

where ϵ_r is the relative dielectric constant of the card 302.

The active (radiating) edges 330, 332, 334, 336 of the patch antenna elements 310, 316 are preferably orthogonal to the polarization present on the dipole/monopole antenna elements 312, 314, 318, 320. This orthogonality helps to achieve polarization diversity. Furthermore, this orthogonality permits separate transmitter power amplifier stages to drive each of the two polarizations thereby lowering the required power amplifier output power (per branch) by 3 dB. For example, referring to FIG. 12, the active circuitry 340 which may be located on the card 302 can include one transmitter power amplifier stage 342 for driving the patch antenna element 310 and a separate transmitter power amplifier stage 344 for driving the monopole antenna elements 312, 314. If the same methodology is used on the under-side of the card 302, a total of 6 dB reduction in each individual power amplifier can be used while delivering the same total output power level.

Preferably, the position of the four vertical antenna elements 312, 314, 318, 320 are chosen to be symmetrically located with respect to the radiating edge edges 330, 332, 334, 336 of the patch antenna elements 310, 316. This lowers the near-field antenna energy from the patch antenna elements 310, 316 that is coupled into the vertical antenna elements 312, 314, 318, 320.

The diversity antenna **300** is very convenient for application in the 5 to 6 GHz frequency band where low-cost and antenna diversity are desired. Its multiple antenna element configuration is well suited to the form factor limits imposed by the dimensions of small cards, such as a PCMCIA. It can physically reside on a portion of such a card, and it can use a combination of printed copper (microstrip) techniques and lumped-element devices to implement the actual antenna elements. Thus, multiple antenna elements are provided in a small form-factor that deliver good diversity performance at low cost, which is particularly suited for use in wireless local area networks (WLAN) operating in the 5 GHz frequency bands.

U.S. patent application Ser. No. 09/693,465, filed Oct. 19, 2000, entitled DIVERSITY ANTENNA STRUCTURE FOR WIRELESS COMMUNICATIONS, by inventor James A. Crawford, is hereby fully incorporated into the present application by reference.

While the invention herein disclosed has been described by means of specific embodiments and applications thereof, numerous modifications and variations could be made thereto by those skilled in the art without departing from the scope of the invention set forth in the claims.

What is claimed is:

1. An antenna structure, comprising:
a card configured for insertion into a slot of a device;
at least two antenna elements attached to the card at a first end thereof, wherein the antenna elements are located and configured to provide at least one antenna gain pattern that provides at least some coverage on one side of the card and at least one antenna gain pattern that provides at least some coverage on another side of the card so that at least some coverage is provided on both sides of the card; and
active circuitry attached to the card and coupled to the at least two antenna elements;
wherein at least two of the at least two antenna elements are sufficiently spaced apart so as to achieve spatial diversity.
2. An antenna structure in accordance with claim 1, wherein the at least two antenna elements are spaced apart by a distance equal to or greater than 0.5λ for a predetermined frequency of operation.
3. An antenna structure in accordance with claim 2, wherein the predetermined frequency of operation falls within 5 to 6 gigahertz (GHz).
4. An antenna structure in accordance with claim 1, wherein a first of the at least two antenna elements comprises a polarization that is orthogonal to a polarization of a second of the at least two antenna elements so as to achieve polarization diversity.
5. An antenna structure in accordance with claim 4, wherein the first antenna element comprises an active edge that is orthogonal to an active edge of the second antenna element.
6. An antenna structure in accordance with claim 4, wherein the first antenna element comprises a patch antenna and the second antenna element comprises a monopole antenna.
7. An antenna structure in accordance with claim 4, wherein the active circuitry comprises;
a first power amplifier coupled to the first antenna element; and
a second power amplifier coupled to the second antenna element.
8. An antenna structure in accordance with claim 1, wherein the card comprises connectors located at a second end thereof configured for engagement with an interface slot.

9. An antenna structure in accordance with claim 1, wherein at least one antenna element is located on a first surface of the card and at least one antenna element is located on a second surface of the card.

10. An antenna structure in accordance with claim 1, wherein one or more of the at least two antenna elements comprises a patch antenna.

11. An antenna structure in accordance with claim 1, wherein one or more of the at least two antenna elements comprises a monopole antenna.

12. An antenna structure in accordance with claim 1, wherein one or more of the at least two antenna elements comprises a vertically polarized antenna.

13. An antenna structure in accordance with claim 1, wherein one or more of the at least two antenna elements comprises a horizontally polarized antenna.

14. An antenna structure in accordance with claim 1, wherein the at least two antenna elements comprise four antenna elements.

15. An antenna structure in accordance with claim 14, wherein three of the antenna elements are located on a first surface of the card and one of the antenna elements is located on a second surface of the card.

16. An antenna structure in accordance with claim 14, wherein all four of the antenna elements comprise patch antennas.

17. An antenna structure in accordance with claim 14, wherein two of the antenna elements comprise patch antennas and two of the antenna elements comprise monopole antennas.

18. An antenna structure in accordance with claim 1, wherein the at least two antenna elements comprise six antenna elements.

19. An antenna structure in accordance with claim 18, wherein three of the antenna elements are located on a first surface of the card and three of the antenna elements is located on a second surface of the card.

20. An antenna structure in accordance with claim 18, wherein two of the antenna elements comprise patch antennas and four of the antenna elements comprise monopole antennas.

21. An antenna structure, comprising:

- a card configured for insertion into a slot of a device;
- at least two antenna elements attached to the card at a first end thereof, wherein the antenna elements are located and configured to provide at least one antenna gain pattern that provides at least some coverage on one side of the card and at least one antenna gain pattern that provides at least some coverage on another side of the card so that at least some coverage is provided on both sides of the card; and

active circuitry attached to the card and coupled to the at least two antenna elements;

wherein a first of the at least two antenna elements comprises a polarization that is orthogonal to a polarization of a second of the at least two antenna elements so as to achieve polarization diversity.

22. An antenna structure in accordance with claim 21, wherein the first antenna element comprises an active edge that is orthogonal to an active edge of the second antenna element.

23. An antenna structure in accordance with claim 21, wherein the first antenna element comprises a patch antenna and the second antenna element comprises a monopole antenna.

24. An antenna structure in accordance with claim 21, wherein the active circuitry comprises;

13

a first power amplifier coupled to the first antenna element; and
 a second power amplifier coupled to the second antenna element.

25. An antenna structure in accordance with claim 21, wherein two of the at least two antenna elements are sufficiently spaced apart so as to achieve spatial diversity.

26. An antenna structure in accordance with claim 21, wherein two of the at least two antenna elements are spaced apart by a distance equal to or greater than 0.5λ for a predetermined frequency of operation.

27. An antenna structure in accordance with claim 26, wherein the predetermined frequency of operation falls within 5 to 6 gigahertz (GHz).

28. An antenna structure in accordance with claim 21, wherein the card comprises connectors located at a second end thereof configured for engagement with an interface slot.

29. An antenna structure in accordance with claim 21, wherein at least one antenna element is located on a first surface of the card and at least one antenna element is located on a second surface of the card.

30. An antenna structure in accordance with claim 21, wherein one or more of the at least two antenna elements comprises a patch antenna.

31. An antenna structure in accordance with claim 21, wherein one or more of the at least two antenna elements comprises a monopole antenna.

32. An antenna structure in accordance with claim 21, wherein one or more of the at least two antenna elements comprises a vertically polarized antenna.

33. An antenna structure in accordance with claim 21, wherein one or more of the at least two antenna elements comprises a horizontally polarized antenna.

34. An antenna structure in accordance with claim 21, wherein the at least two antenna elements comprise four antenna elements.

35. An antenna structure in accordance with claim 34, wherein three of the antenna elements are located on a first surface of the card and one of the antenna elements is located on a second surface of the card.

36. An antenna structure in accordance with claim 34, wherein all four of the antenna elements comprise patch antennas.

37. An antenna structure in accordance with claim 34, wherein two of the antenna elements comprise patch antennas and two of the antenna elements comprise monopole antennas.

38. An antenna structure in accordance with claim 21, wherein the at least two antenna elements comprise six antenna elements.

39. An antenna structure in accordance with claim 38, wherein three of the antenna elements are located on a first surface of the card and three of the antenna elements are located on a second surface of the card.

40. An antenna structure in accordance with claim 38, wherein two of the antenna elements comprise patch antennas and four of the antenna elements comprise monopole antennas.

41. A method of receiving a signal in a multi-path environment, comprising the steps of:

14

placing a card configured for insertion into a slot of a device in the multi-path environment, the card having active circuitry attached thereto;

receiving the signal with a first antenna element attached to the card at a first end thereof; and

receiving the signal with a second antenna element attached to the card at the first end thereof;

wherein the first and second antenna elements are coupled to the active circuitry and are located and configured to provide at least one antenna gain pattern that provides at least some coverage on one side of the card and at least one antenna gain pattern that provides at least some coverage on another side of the card so that at least some coverage is provided on both sides of the card.

42. A method in accordance with claim 41, wherein the first and second antenna elements are sufficiently spaced apart so as to achieve spatial diversity.

43. A method in accordance with claim 41, wherein the first and second antenna elements are spaced apart by a distance equal to or greater than 0.5λ for a predetermined frequency of operation.

44. A method in accordance with claim 43, wherein the predetermined frequency of operation falls within 5 to 6 gigahertz (GHz).

45. A method in accordance with claim 41, wherein the first antenna element comprises a polarization that is orthogonal to a polarization of the second antenna element so as to achieve polarization diversity.

46. A method in accordance with claim 45, wherein the active circuitry comprises;

a first power amplifier coupled to the first antenna element; and

a second power amplifier coupled to the second antenna element.

47. A method in accordance with claim 41, wherein the card comprises connectors located at a second end thereof configured for engagement with an interface slot.

48. A method in accordance with claim 41, wherein the first antenna element is located on a first surface of the card and the second antenna element is located on a second surface of the card.

49. A method of transmitting a signal in a multi-path environment, comprising the steps of:

placing a card configured for insertion into a slot of a device in the multi-path environment, the card having active circuitry attached thereto;

transmitting the signal with a first antenna element attached to the card at a first end thereof; and

transmitting the signal with a second antenna element attached to the card at the first end thereof;

wherein the first and second antenna elements are coupled to the active circuitry and are located and configured to provide at least one antenna gain pattern that provides at least some coverage on one side of the card and at least one antenna gain pattern that provides at least some coverage on another side of the card so that at least some coverage is provided on both sides of the card.

50. A method in accordance with claim 49, wherein the first and second antenna elements are sufficiently spaced apart so as to achieve spatial diversity.

15

51. A method in accordance with claim 49, wherein the first and second antenna elements are spaced apart by a distance equal to or greater than 0.5λ for a predetermined frequency of operation.

52. A method in accordance with claim 51, wherein the predetermined frequency of operation falls within 5 to 6 gigahertz (GHz).

53. A method in accordance with claim 49, wherein the first antenna element comprises a polarization that is orthogonal to a polarization of the second antenna element so as to achieve polarization diversity.

54. A method in accordance with claim 53, wherein the active circuitry comprises;

16

a first power amplifier coupled to the first antenna element; and
a second power amplifier coupled to the second antenna element.

55. A method in accordance with claim 49, wherein the card comprises connectors located at a second end thereof configured for engagement with an interface slot.

56. A method in accordance with claim 49, wherein the first antenna element is located on a first surface of the card and the second antenna element is located on a second surface of the card.

* * * * *